



Cooking

EN User Manual

AL Manual i Përdorimit

BG Инструкции за Употреба

CZ Návod k Obsluze

DE Bedienungsanleitung

DK Brugermanual



Oven

K-70V19IM2-EU



GB-Declaration of conformity

We declare that our products meet the applicable European Directives, Decisions and Regulations and the requirements listed in the standards referenced.

DE-Konformitätserklärung

Wir erklären, dass unsere Produkte die geltenden europäischen Richtlinien, Entscheidungen und Regularien sowie die in den referenzierten Standards gelisteten Anforderungen erfüllen.

FR-Déclaration de conformité

Nous déclarons que nos produits sont conformes aux Directives, Décisions et Règlements européennes en vigueur et aux exigences visées dans les normes citées en référence.

ES-Declaración de conformidad

Declaramos que nuestros productos cumplen con las Directivas Europeas, Decisiones y Regulaciones aplicables y los requisitos enumerados en dichas normativas.

PT-Declaração de conformidade

Declaramos que os nossos produtos cumprem as Diretivas Europeias, Decisões e Regulamentos aplicáveis e os requisitos enumerados nas referências normalizadas.

NL-Conformiteitsverklaring

We verklaren dat onze producten voldoen aan de van toepassing zijnde Europese richtlijnen, besluiten en voorschriften in de normen waarnaar wordt verwezen.

IT-Dichiarazione di conformità

Dichiariamo che i nostri prodotti sono conformi

a Direttive, Decisioni e Regolamenti europei e ai requisiti elencati negli standard di riferimento.

GR-Δήλωση συμμόρφωσης

Δηλώνουμε ότι τα προϊόντα μας πληρούν τις εφαρμόσιμες Ευρωπαϊκές Οδηγίες, Αποφάσεις και Κανονισμούς, καθώς και τις απαιτήσεις που περιέχονται στα πρότυπα όπου γίνεται αναφορά.

BG-Декларация за съответствие

Ние заявяваме, че нашите продукти отговарят на приложимите европейски директиви, решения и регламенти и на изискванията, посочени в гореописаните стандарти.

CZ-Prohlášení o shodě

Prohlašujeme, že naše výrobky splňují příslušné evropské směrnice, rozhodnutí, předpisy a požadavky uvedené ve zmiňovaných normách.

SK-Vyhlasenie o zhode

Vyhlasujeme, že naše produkty spĺňajú príslušné smernice, rozhodnutia, nariadenia a požiadavky vypísané v uvedených štandardoch.

EE-Vastavusdeklaratsioon

Deklareerime, et meie tooted vastavad kohaldatavatele Euroopa direktiividele, otsustele ja määrustele ning viidatud standardites sätestatud nõuetele.

SV-Försäkran om överensstämmelse

Vi försäkrar att våra produkter uppfyller gällande EU-direktiv, beslut och förordningar och de krav som anges i de standarder som refereras.

FI-Yhteensopivuuslauseke

Tuotteemme ovat yhteensopivia EU:n tuotedirektiivin, päätösten ja säädösten kanssa, sekä niissä listattujen standardien kanssa.

HR-Izjava o sukladnosti

Izjavljujemo da su naši proizvodu u skladu s primjenjivim Direktivama, Odlukama i Uredbama Europske unije te zahtjevima navedenima u

spomenutim standardima.

SR-Izjava o usklađenosti

Izjavljujemo da naši proizvodi zadovoljavaju primenljive evropske direktive, odluke i propise, kao i zahteve navedene u naznačenim standardima.

DA-Overensstemmelseserklæring

Vi erklærer, at vores produkter opfylder de gældende europæiske direktiver, beslutninger og forordninger, og de anførte standarder der henvises til.

NO-Samsvarserklæring

Vi erklærer at våre produkter oppfyller de gjeldende europeiske direktiver, beslutninger og forskrifter, og kravene i standardene som det henvises til.

UK-Декларація відповідності

Цим ми заявляємо, що наші продукти відповідають усім застосовним директивам, рішенням та нормам Європейського союзу. Вимоги зазначено в додаткових матеріалах щодо стандартів.

МК-Декларација за усогласеност

Изјавуваме дека нашите производи ги исполнуваат применливите европски директиви, решенија и одредби, како и побарувањата наведени во посочените стандарди.

RO-Declarație de conformitate

Noi declarăm că produsele noastre respectă Directivele Europene, Deciziile și Reglementările aplicabile și condițiile enumerate în standardele menționate.

HU-Megfelelősségi nyilatkozat

Ezúton igazoljuk, hogy termékeink megfelelnek az EU direktíváknak, jogszabályoknak, előírásoknak. Az előírások felsorolása a

referencia tartalmaknál.

SL-Izjava o skladnosti

Zagotavljamo, da so naši izdelki skladni z ustreznimi evropskimi direktivami, sklepi in predpisi ter zahtevami, ki so navedene v referenčnih standardih.

AL-Deklarata e konformitetit

Ne deklarojmë se produktet tona përmbushin Direktivat e aplikueshme evropiane, Vendimet dhe Rregulloret si dhe kërkesat e renditura në standardet e referuara.

LT-Atitikties deklaracija

Tvirtiname, kad mūsų produktai atitinka susijusiose Europos direktyvose, sprendimuose ir reglamentuose pateikiamų standartų keliamus reikalavimus.

LV-Atbilstības deklarācija

Mēs apliecinām, ka mūsu produkti atbilst attiecīgajām Eiropas direktīvām, lēmumiem un noteikumiem, kā arī prasībām, kas norādītas pieminētajos standartos.

PL-Deklaracja zgodności

Oświadczamy, że nasze produkty spełniają wymagania odpowiednich dyrektyw, decyzji i regulacji Unii Europejskiej oraz wymagania określone w wymienionych standardach.

Dear Customer,

Our goal is to offer you high quality products that exceed your expectations. Your appliance is produced in state of the art facilities and is carefully tested for quality. This manual is prepared to help you use your appliance, which has been manufactured using the most recent technology, with confidence and maximum efficiency. Before using your appliance, carefully read this guide which includes basic information on safe installation, maintenance and use. Please contact your nearest Authorized Service Centre for the installation of your product.

Contents

Presentation and size of product

Warnings

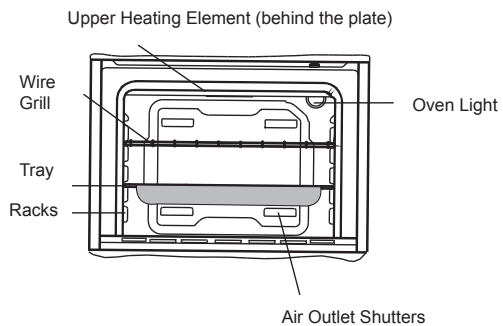
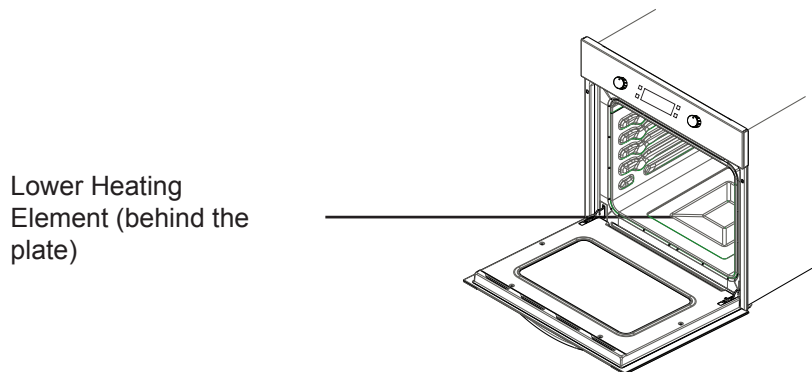
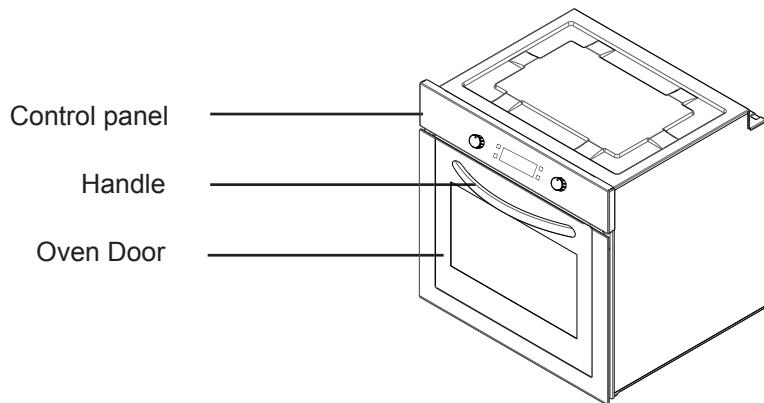
Preparation for installation and use

Using the oven

Cleaning and maintenance of your product

Service and Transport

PRESENTATION AND SIZE OF PRODUCT



SAFETY WARNINGS

READ THESE INSTRUCTIONS CAREFULLY AND COMPLETELY BEFORE USING YOUR APPLIANCE, AND KEEP THEM IN A CONVENIENT PLACE FOR REFERENCE WHEN NECESSARY.

THIS MANUAL IS PREPARED FOR MORE THAN ONE MODEL. YOUR APPLIANCE MAY NOT HAVE SOME OF THE FEATURES THAT ARE EXPLAINED IN THIS MANUAL. WHILE YOU ARE READING THE OPERATING MANUAL, PAY A SPECIAL ATTENTION TO THE EXPRESSIONS THAT HAVE IMAGES.

General Safety Warnings

- This appliance can be used by children aged 8 and above and persons with reduced physical, sensory or mental capabilities or lack of experience and knowledge if they have been given supervision or instruction concerning use of the appliance in a safe way and understand the hazards involved. Children

should not play with the appliance. Cleaning and user maintenance should not be done by children without supervision.

- **WARNING:** The appliance and its accessible parts become hot during use. Care should be taken to avoid touching the heating elements. Children under the age of 8 should stand away from the appliance unless continuously supervised.
- **WARNING:** Fire hazard: do not store items on the cooking surfaces.
- **WARNING:** If the surface is cracked, switch the appliance off to avoid the possibility of electric shock.
- The appliance is not intended to be operated by means of an

external timer or separate remote-control system.

- The appliance becomes hot during use. Care should be taken to avoid touching heating elements inside the oven.
- During use, handles held for short periods in normal use can become hot.
- Do not use harsh abrasive cleaners or sharp metal scrapers to clean the oven door glass and other surface since they can scratch the surface, which can cause the glass to shatter or cause damage to the surface.
- Do not use steam cleaners to clean the appliance.
- **WARNING:** Ensure that the appliance is switched off before replacing the lamp to avoid the possibility of electric shock.
- **CAUTION:** Accessible parts may be hot when cooking or grilling. Young children should be kept away from the appliance.
- Your appliance is produced in accordance with all applicable local and international standards and regulations.
- Maintenance and repair work must be made only by authorized service technicians. Installation and repair work that is carried out by unauthorized technicians may be hazardous. Altering or modifying the specifications of the appliance in any way is hazardous.
- Prior to installation, ensure that the local distribution conditions (nature of the gas and gas pressure or electricity voltage and frequency) and the requirements of the appliance are compatible. The requirements for this appliance are stated on the label.
- **CAUTION:** This appliance is designed only for cooking food and is intended for indoor domestic household use only and should not be used for any other purpose or in any other application, such as for non-domestic use or in a commercial environment or room heating.

- Do not try to lift or move the appliance by pulling the door handle.
- All possible security measures have been taken to ensure your safety. Since the glass may break, you should be careful while cleaning to avoid scratching. Avoid hitting or knocking on the glass with accessories.
- Ensure that the supply cord is not wedged during the installation. If the supply cord is damaged, it must be replaced by the manufacturer, its service agent or similarly qualified persons in order to prevent a hazard.
- While the oven door is open, do not let children climb on the door or sit on it.

Installation Warnings

- Do not operate the appliance before it is fully installed.
- The appliance must be installed by an authorized technician and put into use. The manufacturer is not responsible for any damage that might be caused by defective placement and installation by unauthorized persons.
- When you unpack the appliance, make sure that it is not damaged during transportation. In the event of any defect; do not use the appliance and contact a qualified service agent immediately. As the materials used for packaging (nylon, staplers, styrofoam...etc.) may cause harmful effects to children, they should be collected and disposed of immediately.
- Protect your appliance against atmospheric effects. Do not expose it to effects such as sun, rain, snow etc.
- The surrounding materials of the appliance (cabinet) must be able to withstand a temperature of 100°C minimum.

During use

- When you first run your oven, a certain smell will emanate from the insulation materials and the heater elements. For this reason, before using your oven, run it empty at the maximum temperature for 45 minutes. At the same time you need to properly ventilate the environment in which the product is installed.
- During use, the outer and inner surfaces of the oven become hot. While opening the oven door, step back to avoid the hot steam coming out of the oven. A risk of burns may occur.
- Do not put flammable or combustible materials, in or near the appliance when it is in operation.
- Always use oven gloves to remove and replace food in the oven.
- Do not leave the cooker while cooking with solid or liquid oils. They may catch fire as a result of extreme heating. Never pour water on to flames that are caused by oil. Cover the saucepan or frying pan with its cover to choke the flame that has arisen in this case and turn the cooker off.
- If you are not going to use the

appliance for a long time, remove the plug from the socket. Keep the main control switched off. Additionally, when not using the appliance for a long period of time, shut the gas valve off.

- Make sure the appliance control knobs are always in the “0” (stop) position when it is not being used.
- The trays incline when pulled out. Be careful not to let hot liquid spill over.
- When the door or drawer of the oven is open, do not leave anything on it. You may unbalance your appliance or break the cover.
- Do not put heavy things or flammable or ignitable goods (nylon, plastic bag, paper, cloth...etc.) into the drawer. This includes cookware with plastic accessories (e.g. handles).
- Do not hang towels, dishcloths or clothes from the appliance or its handles.
- During cleaning and maintenance
- Always turn the appliance off before operations such as cleaning or maintenance. You can do it after removing the plug for the appliance off or turning the main switches off.
- Do not remove the control knobs to clean the control panel.
- **TO MAINTAIN THE EFFICIENCY AND SAFETY OF YOUR APPLIANCE, WE RECOMMEND YOU ALWAYS USE ORIGINAL SPARE PARTS AND ONLY CALL**

OUR AUTHORIZED SERVICE AGENTS SHOULD SUCH A NEED ARISE.

PREPARATION FOR INSTALLATION AND USE

Manufactured with best quality parts and materials, this modern, functional and practical oven will meet your needs in all respects. Make sure to read the manual to obtain successful results and not to experience any problems in the future. The information given below contain rules that are necessary for correct positioning and service operations. They should be read in detail especially by the technician who will position the appliance.

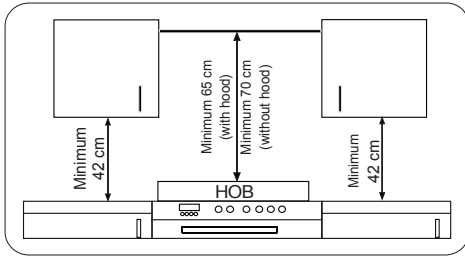
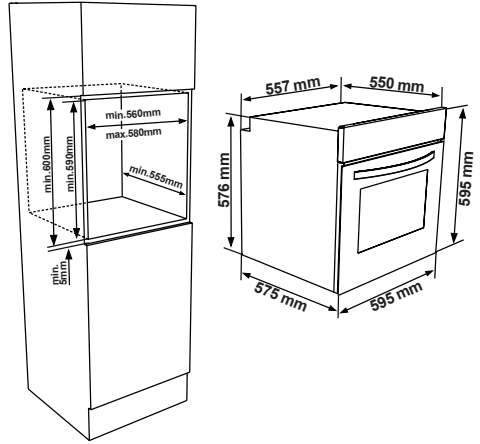
CONTACT THE AUTHORIZED SERVICE FOR THE INSTALLATION OF YOUR OVEN!

CHOOSING A PLACE FOR THE OVEN

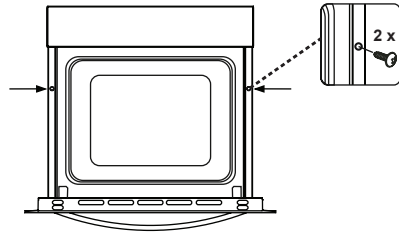
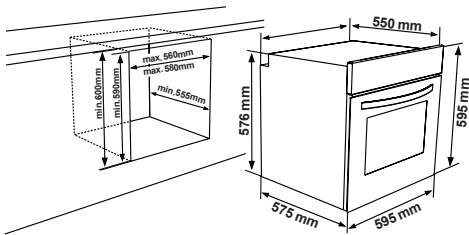
- There are several points to pay attention to when choosing a place for your oven. Make sure to take our recommendations below into account in order to prevent any problems and dangerous situations, which may occur later!
- When choosing a place for the oven, attention should be paid that there are no flammable or combustible materials in the close vicinity, such as curtains, oil, cloth etc. which quickly catch fire.

- Furniture surrounding the oven must be made of heat resistant materials - more than 50 C° of the room temperature.

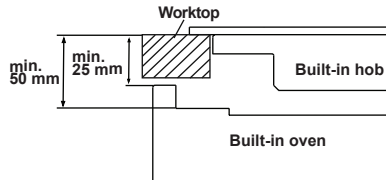
Required changes to wall cabinets and exhaust fans above the built-in combined product as well as minimum heights from the oven board are shown in Figure 1. Accordingly, the exhaust fan should be at a minimum height of 65 cm from the hob board. If there is no exhaust fan the height should not be less than 70 cm.



INSTALLATION OF BUILT-IN OVEN



Insert the oven into the cabinet by pushing it forward. Open the oven door and insert 2 screws in the holes located on the oven frame. When the product frame touches the wooden surface of cabinet, tighten the screws.



If the oven is installed under a hob, the distance between the worktop and the top panel of the oven must be a minimum of 50 mm and the distance between the worktop and the top of control panel must be a minimum of 25 mm.

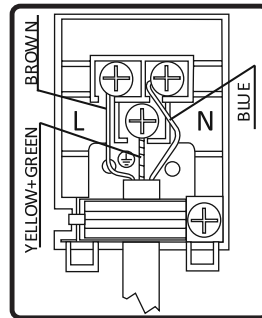
WIRING AND SAFETY OF BUILT_IN OVEN

The instructions given below must be followed explicitly during wiring:

- The grounding cable must be connected via the screw with the grounding mark. The supply cable connection must be carried out as shown in Figure 6. If there is no grounded outlet conforming to regulations in the installation environment, call the Authorized Service Centre immediately.
- The grounded outlet must be in close proximity to the appliance. Never use an extension cord.
- The supply cable should not contact the product's hot surface.
- In the event of any damage to the supply cable, make sure to call the Authorized Service Technician. The cable must be replaced by the Authorized Service technician.
- Wiring of the appliance must be performed by the Authorized Service technician. A H05VV-F type supply cable must be used.
- Faulty wiring may damage the appliance. Such damage will not be covered under the warranty.
- The appliance is designed to connect to 220-240V~. If the electricity is different than the value given above, call the Authorized Service Centre immediately.
- **The manufacturer declares that it bears no liability of any kind for damage and loss arising from not complying with safety standards!**
- Wiring of the appliance must be per-

formed by the Authorized Service technician. The appliance is

- designed to connect to 220-240V~ electricity. If the electricity power line is different than the value given, call the Authorized Service Centre immediately. The appliance is designed for using with a plug or fixed connection to the power line. It is necessary that you install a double pole switch between the product and the electricity supply (power line), with a minimum gap of 3 mm between the switch contacts. (20A rated, delayed function type).



3.4. GENERAL WARNING AND PRECAUTIONS

Your appliance is produced in conformity with the relevant safety instructions relating to electrical appliances. Maintenance and repair works must be performed only by Authorized Service technicians trained by the manufacturer. Installation and repair works, performed without observing the rules may be hazardous.

The outer surfaces is heated while your

appliance is in operation. The elements heating the inner surface of the oven and the steam coming out of the oven are extremely hot. These sections will continue to preserve their heat for some time, even if the appliance is switched off. Never touch the hot surfaces. Keep children away.

In order to cook in your oven, the oven function and temperature setting buttons need to be adjusted and the oven timer needs to be programmed. If this is not done, the oven will not operate.

While the oven door is open, do not place anything on it. You may disturb the balance of the appliance or break the door.

Unplug your appliance when it is not in use.

Protect your appliance from atmospheric effects. Do not expose to the effects of the sun, rain, snow, dust etc.

Using the oven function control button

Oven Functions

* The functions of your oven may be different due to the model of your product.



Oven Lamp:

Only the oven light will be turned on and it will remain on in all cooking functions.



Defrost Function:

The oven's warning lights will be turned on, the fan will start operating.

To use the defrost function, take your frozen food and place it in the oven on a shelf placed in the third slot from the

bottom. Placing an oven tray under the defrosting food to catch the water accumulated due to the melting ice is recommended. This function will not cook or bake your food, it will only help defrost it.



Turbo Function

The oven's thermostat and warning lights will be turned on, the ring heating element and fan will start operating.

The turbo function disperses the heat in the oven evenly. All foods on all racks will be cooked evenly. Pre-heating the oven for about 10 minutes is recommended.



Static Cooking Function:

The oven's thermostat and warning lights will be turned on, the lower and upper heating elements will start operating. The static cooking function emits heat, ensuring even cooking of the food on the lower and upper shelves. This is ideal for making pastries, cakes, baked pasta, lasagne and pizza. Pre-heating the oven for 10 minutes is recommended and it is best to cook on only one shelf at a time when using this function.



Fan Function:

The oven's thermostat and warning lights will be turned on, the upper and lower heating elements and fan will start operating.

This function is very good for baking pastries. Cooking is carried out by the lower and upper heating element within the oven and by the fan providing air circulation, which will give a slight grilled effect to the food. Pre-heating the oven

for about 10 minutes is recommended.



Grilling Function:

The oven's thermostat and warning lights will be turned on, the grill heating element will start operating. The function is used for grilling and toasting foods. Use the upper shelves of the oven. Brush the wire grid lightly with oil to stop foods sticking and place foods in the centre of the grid. Always place a tray beneath to catch any oil or fat drippings. Pre-heating the oven for about 10 minutes is recommended. Warning: When grilling, the oven door must be closed and the oven temperature should be adjusted to 190°C.



Faster Grilling Function:

The oven's thermostat and warning lights will be turned on, the grill and upper heating elements will start operating. The function is used for faster grilling and for covering a larger surface area, such as grilling meats. Use the upper shelves of the oven. Brush the wire grid lightly with oil to stop foods sticking and place foods in the centre of the grid. Always place a tray beneath to catch any oil or fat drippings. Pre-heating the oven for about 10 minutes is recommended. Warning: When grilling, the oven door must be closed and the oven temperature should be adjusted to 190°C.



Double Grill and Fan Function:

The oven's thermostat and warning lights will be turned on, the grill and upper heating elements and fan will start operating.

The function is used for faster grilling of thicker foods and for covering a larger surface area. Both the upper heating

elements and grill will be energised along with the fan to ensure even cooking.

Use the upper shelves of the oven. Brush the wire grid lightly with oil to stop foods sticking and place foods in the centre of the grid. Always place a tray beneath to catch any oil or fat drippings. Pre-heating the oven for about 10 minutes is recommended.

Warning: When grilling, the oven door must be closed and the oven temperature should be adjusted to 190°C.



Pizza Function:

The oven's thermostat and warning lights will be turned on, the ring and lower heating elements and fan will start operating.

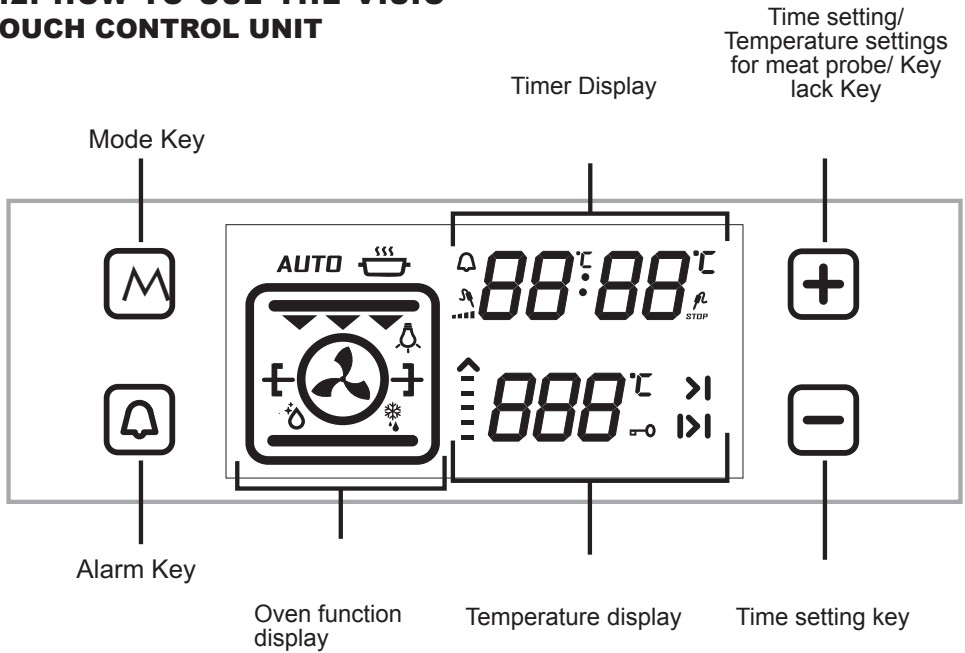
The fan and lower heating function is ideal for baking food, such as pizza, in a short time. While the fan evenly disperses the heat of the oven, the lower heating element ensures the baking of dough.

ENERGY SAVING

Minimize the amount of liquid or fat to reduce cooking times.

Oven door should not be opened often during the cooking period.

4.2. HOW TO USE THE VISIO TOUCH CONTROL UNIT



Adjusting the Time:

When the built in oven is installed, the time of day must be adjusted according to the instructions below.

When the oven is installed, "0.00" will start to flash on the display. Press the "M" sensor or " - " and " + " sensors to adjust the time mode. The " : " symbol will start to flash on the display. You can adjust it using the " - " and " + " sensor. If the Auto cooking mode is off, press " - " and " + " sensors at the same time to the day time mode. You can adjust it using the " - " and " + " sensor.

You have to adjust the time to use the oven function.

ADJUSTING THE COOKER TIME:

Adjusting the Minute Minder:

press the alarm sensor which shows the " " symbol. " " will flash on the display. "0.00" will appear on the clock digits. Adjust the desired time period for the warning by using Timer "+" and "-" sensor while the symbol is flashing. Some time after the completion of the adjustment, the symbol will be lit continuously. When the symbol begins to light continuously, the audible warning time adjustment is complete. When the set time is up, the timer gives an audible warning and symbol begins to flash on the screen. Pressing " - " or "+" will stop the audible warning and the symbol disappears on the screen.

Adjusting the Cooking Duration Time:

This function is used to cook in the desired time range. The foods to be cooked are put into the oven. The oven is adjusted to the desired cooking function. The oven temperature is adjusted to the desired degree depending on the dish to be cooked. press on the “M” sensor until you see Duration time symbol “|>|” on the timer display screen. “**AUTO**” appears on the display. Adjust the cooking period for the food you wish to cook, by using the Timer “+” and “-” sensor while the timer is in this position. Some time after the adjustment operation is completed, the day’s time will appear on the screen and the Duration time symbol will be lit continuously on the screen.

At the completion of the set duration, the timer will stop the oven and give an audible warning. Additionally, “**AUTO**” will begin to flash on the screen. Touching any sensor of the control unit will end the audible warning. “**AUTO**” will go on to flash mode. press “-” and “+” symbols at the same time to finish “**AUTO**” mode.

Adjusting the Cooking End Time:

This function is used to cook after a certain period of time, within a certain duration. The food to be cooked is put into the oven. The oven is adjusted to the desired cooking function. The oven temperature is adjusted to the desired degree depending on the dish to be cooked.

press on the “M” sensor until you see Duration time symbol “|>|” on the timer display screen. “**AUTO**” appears on the

display. Adjust the cooking period for the food you wish to cook, by using the Timer “+” and “-” sensor while the timer is in this position. Then press the “M” sensor until you see “>|” symbol. The day time will begin to flash, with the addition of the cooking period. Adjust the finishing time for the food by using the Timer “+” and “-” sensor while the timer is in this position. Some time after the adjustment operation is completed, the day time will appear on the screen and the “>|” symbol will be lit continuously on the screen. The oven will start operating at the time calculated by deducting the cooking period from the set finishing time, and will stop at the set finishing time. The timer will give an audible warning and “**AUTO**” will begin to flash on the screen will begin to flash. Touching any button of the timer will end the audible warning. “**AUTO**” will go on to flash mode. press “-” and “+” symbols at the same time to finish “**AUTO**” mode.

Digital Timer Sound Adjustment:

press the “-” sensor until you hear a sound. The timer will give an audible signal beep. After that each time the “-” sensor is pressed, the timer will give three different types of signal beep. Do not press any further sensor and the timer will save the last selected signal type.

Key Lock Function

The key lock function is used to prevent operating any functions of the control unit by mistake. press the “+” sensor until you see the key lock symbol on the display to activate the key lock. press the “+” sensor to deactivate the key lock.

While the oven is operating, if the control switches and press buttons are not pushed or pressed for 6 hours, the oven will switch off.

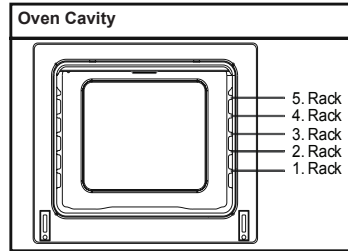
DISHES	TURBO			LOWER-UPPER			LOWER-UPPER FAN			GRILL		
	Thermostat pos. (°C)	Rack pos.	Cooking period (min)	Thermostat pos. (°C)	Rack pos.	Cooking period (min)	Thermostat pos. (°C)	Rack pos.	Cooking period (min)	Thermostat pos. (min)	Rack pos.	Cooking period (min)
Layered pastry	170-190	1-2-3	35-45	170-190	1-2	35-45	170-190	1-2	25-35			
Cake	150-170	1-2-3	30-40	170-190	1-2	30-40	150-170	1-2-3	25-35			
Cookie	150-170	1-2-3	25-35	170-190	1-2	30-40	150-170	1-2-3	25-35			
Grilled meatballs										200	4	10-15
Watery food	175-200	2	40-50	175-200	2	40-50	175-200	2	40-50			
Chicken				200	1-2	45-60	200	1-2	45-60	200	*	50-60
Chop										200	3-4	15-25
Beefsteak										200	4	15-25
Two-tray cake	160-180	1-4	30-40									
Two-tray pastry	170-190	1-4	35-45									

* Cook with roasted chicken skewer...

Accessories

The product is supplied with accessories. You can also use accessories you purchase from other sources, but they must be heat and flame resistant. You can also use glass dishes, cake moulds and oven trays that are appropriate for use in an oven. Follow the manufacturer's instructions when using other accessories. In the event small size dishes are used, place the dish onto the wire grid, as it will completely be on the middle part of the grid. If the food to be cooked does not cover the oven tray completely, if the food is taken from the deep freezer or the tray is being used for collecting the food's juices that flow during grilling, form changes can be observed in the tray. This is due to the high temperatures that occur during cooking. The tray will return to its old form when the tray cools down after cooking. This is a normal physical event that occurs during heat transfer. Do not place hot glass trays and dishes into a cold environment straight from the oven to avoid breaking the tray or dish. Do not put onto cold and wet surfaces. Place on a dry kitchen cloth and allow to cool slowly. When using the grill in your oven; we recommend (where appropriate) you use the grid that was supplied with the product. When using the wire grid; put a tray onto one of the lower shelves to allow the oil to be collected. Water may be added to the tray to assist in cleaning. As explained in the corresponding clauses, never attempt to use the gas operated grill burner without the grill protection lid. If your oven has a gas operated grill burner, but the grill heat shield is missing, or if it is

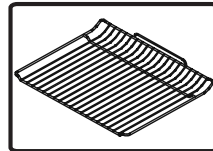
damaged and cannot be used, request a spare part from the nearest Service Centre.



Oven Accessories

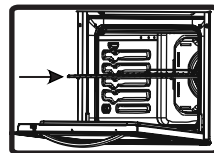
The accessories for your oven may be different due to the model of your product.

Wire grid



The wire grid is used to grill or place different cookwares on it.

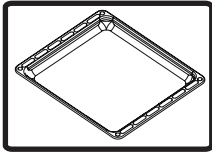
WARNING- Fit the grid correctly into any corresponding rack in the oven cavity and push it to the back.



Shallow Tray

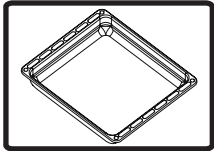
The shallow tray is used to bake pastries such as flans etc. To locate the tray correctly in the cavity, put it to any rack

it to the back.



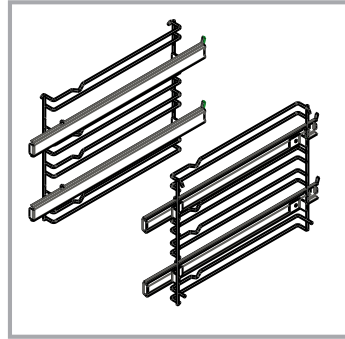
Deep Tray

The deep tray is used to cook stews. To locate the tray correctly in the cavity, put it to any rack and push it to the back.



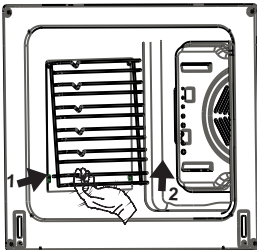
Telescopic rails

Remove the G screws on each catalitic enamel coated panel.



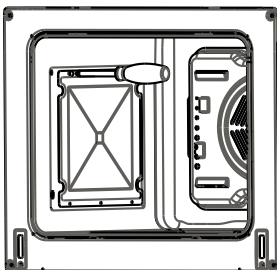
Removal of the wire shelf

Pull the wire shelf as shown in the picture. After releasing it from clips, lift it up.



Removal of the catalitic panel

Remove the G screws on the each catalitic enamel coated panel.



CLEANING AND MAINTENANCE OF YOUR OVEN

CLEANING

Before starting to clean your oven, be sure that all control buttons are off and your appliance is cooled off. Unplug the appliance.

Do not use cleaning materials containing particles that might scratch the enamelled and

painted parts of your oven. Use cream cleaners or liquid cleaners, which do not contain particles. As they might harm the surfaces, do not use caustic creams, abrasive cleaning powders, rough wire wool or hard tools. In the event the excess liquids spill over and your oven should burn, this may cause damage to the enamel. Clean up the split liquids immediately. Do not use steam cleaners to clean the oven.

Cleaning the interior of the oven

Make sure to unplug the oven before you start cleaning it. You will obtain best results if you clean the oven interior while the oven is slightly warm. Wipe your oven with a soft piece of cloth dampened with soap and water after each use. Then wipe it again, this time with a wetted cloth, and wipe it dry. Complete cleaning using dry and powder type cleaners. For product with catalytic enamel frames, the rear and side walls of

the inner frame do not require cleaning. However; depending on usage, replacing them after a certain period of time is recommended.

MAINTENANCE

Replacing the Oven Light

The change of oven lamp must be done by an authorized technician. The rating of the bulb should be 230V, 25Watt, Type E14, T300 before changing the lamp, the oven should be switched off and it should be cool.

The lamp design is specific for use in household cooking appliances and it is not suitable for household room illumination.

SERVICE AND TRANSPORT

REQUIREMENTS BEFORE CONTACTING SERVICE

If the oven does not operate:

The oven may have been switched off, or disconnected. On models fitted with a timer, the time may not be regulated.

If the oven does not heat:

the heat may be not adjusted with the oven's heater control switch.

If the interior lighting lamp does not light:

The electricity must be inspected. It must be inspected to see whether the lamps are defective. If they are defective, you can change them following the guide.

Cooking (if the lower-upper parts do not cook equally):

Control the shelf locations, cooking period and heat values according to the manual.

Except these, if you still have any problem with your product, please call to the Authorized Service Centre.

INFORMATION RELATED TO TRANSPORT

If you need any transport:

Keep the original product packaging and use the original case for carrying. Follow the transport instructions on the case. Tape the cooker on upper parts, hats and heads and saucepan carriers

to the cooking panels.

Place a paper between the upper cover and cooking panel, cover the upper cover, then tape to the side surfaces of the oven.

Tape cardboard or paper onto the front cover on interior glass of the oven as it will be suitable to the trays, for the wire grill and trays in your oven not damage to the oven's cover during transport. Also tape the oven's covers to the side walls.

If you do not have the original case:

Take appropriate measures of the external surfaces (glass and painted surfaces) of the oven to protect it against possible blows.

I nderuar klient,

Qëllimi ynë është t'ju ofrojmë produkte të cilësisë së lartë që i tejkalojnë pritshmëritë Tuaja. Pajisja juaj është prodhuar në fabrika moderne dhe me shumë kujdes, e testuar veçanërisht për cilësinë. Ky udhëzues është përgatitur në mënyrë që t'ju ndihmojë të përdorni pajisjen tuaj, e cila është prodhuar duke përdorur teknologjinë më të fundit me besueshmëri dhe efikasitet maksimal. Para se të përdorni pajisjen tuaj, lexoni me kujdes këtë udhëzues i cili përfshin informacione bazë për instalimin e sigurtë, mirëmbajtjen dhe përdorimin. Ju lutemi të kontaktoni qendrën më të afërt të autorizuar për instalimin e produktit tuaj.

Përmbajtja

Prezantimi dhe madhësia e produktit

Paralajmërimi

Përgatitja për instalim dhe përdorim

Përdorimi i furrës

Pastrimi dhe mirëmbajtja e produktit tuaj

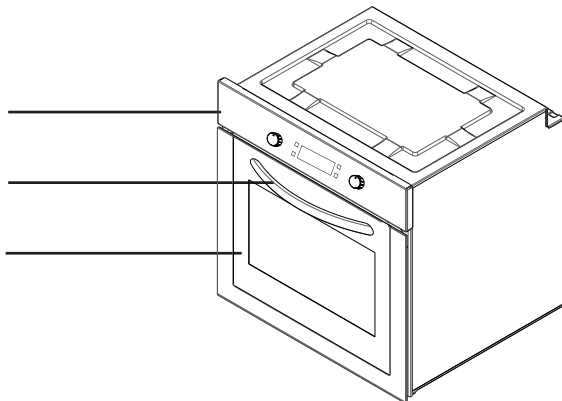
Shërbimi dhe Transporti

PREZANTIMI DHE MADHËSIA E PRODUKTIT

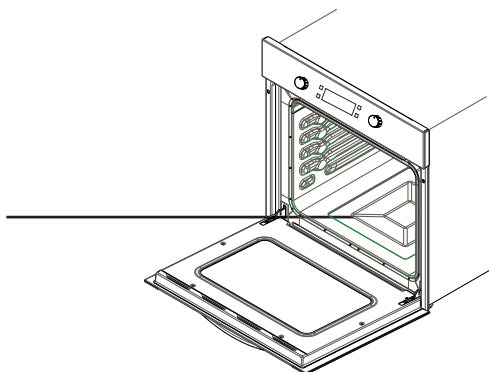
Paneli i kontrollit

Doreza

Dera e furrës



Element me ngrohje më të ulët (prapa pllakës)

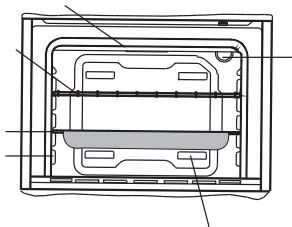


Element me ngrohje më të lartë (prapa pllakës)

rrjetë grille

tabaka

mbajtëse



Drita e furrës

Grila me ventilim

PARALAJMËRIMET E SIGURISË

LEXONI ME KUJDES DHE PLOTËSISHT KËTO UDHËZIME PARA PËRDORIMIT TË PAJISJES TUAJ DHE RUAJENI ATË NË NJË VEND TË PËRSHTATSHËM PËR REFERENCË KUR TË JETË E NEVOJSHME.

KY UDHËZUES ËSHTË PËRGATITUR PËR MË SHUMË SE NJË MODEL TË PËRBASHKËT. PAJISJA JUAJ MUND TË MOS KETË NJË NGA DISA KARAKTERISTIKAT QË JANË SHPJEGUAR NË KËTË UDHËZUES. KUSHTOJUNI RËNDËSI PARAQITJES NË VLERA, KUR JENI DUKE LEXUAR KËTË UDHËZUES.

Paralajmërime të përgjithshme për sigurinë

- Kjo pajisje mund të përdoret nga fëmijë të moshës 8 vjeç e sipër dhe persona me aftësi të kufizuara fizike, ndjesore ose mendore apo me mungesa të përvojës dhe njohurive në qoftë se ata kanë mbikëqyrje ose udhëzohen për përdorimin e pajisjes në mënyrë të sigurtë

dhe kuptojnë rreziqet e përfshira. Fëmijët nuk duhet të luajnë me pajisjen. Pastrimi dhe mirëmbajtja nuk duhet të bëhet nga fëmijët pa mbikëqyrje.

- **KUJDES:** Pajisja dhe pjesët e saj të arritshme nxehen gjatë përdorimit. Duhet patur kujdes për të shmangur prekenjen e elementëve të nxehtë. Fëmijët më pak se 8 vjeç, do të mbahen larg vetëm nëse mbikëqyren vazhdimisht.
- **KUJDES:** Rreziku i zjarrit: mos ruani a tikuj në sipërfaqet e gatimit.
- **KUJDES:** Nëse sipërfaqja është plasaritur, fiken pajisjen për të shmangur mundësinë e goditjes elektrike.
- Pajisja nuk është

- ndërtuar për tu vënë në punë me anë të një ore me zile të jashtme apo me anë të një sistemi të veçantë-telekomandë.
- Gjatë përdorimit pajisja nxehet. Tregoni kujdes për të shmangur prekjen e elementëve të nxeh të brenda furrës.
 - Gjatë përdorimit, dozazat që përdoren për një kohë të shkurtër mund të nxehen.
 - Mos përdorni past-rues gërryes ose skraper të mprehtë metalik për të pastruar xhamin e derës së furrës dhe sipërfaqe të tjera pasi ato mund të gërvishtin sipërfaqen, e cila mund të rezultojë në krisjen e xhamit apo dëmtimin e sipërfaqes.
 - Mos përdorni pastrues me avull për pastrimin e pajisjes.
 - KUJDES: Sigurohuni që pajisja është e fikur para se të zëvendësoni llambën për të shmangur mundësinë e goditjes elektrike.
 - VINI RE: Pjesët e aksesueshme mund të nxehen, kur janë në përdorim vatrat për gatim apo skara. Fëmijët e vegjël duhet të mbahen larg.
 - Pajisja juaj është prodhuar në përputhje me të gjitha standardet e aplikueshme dhe rregulloret vendore dhe ndërkombëtare.
 - Mirëmbajtja dhe puna riparuese duhet të bëhet vetëm nga teknikë të shërbimit të autorizuar. Instalimi dhe puna riparuese që kryhet nga teknikë të paautorizuar mund t'ju rrezikojë. Është e rrezikshme të ndryshoni apo modifikoni specifikimet e pajisjes në çdo lloj mënyre.
 - Para instalimit, sigurohuni që kushtet lokale të shpërndarjes (natyra e gazit dhe presioni i gazit ose tensionit të energjisë elektrike dhe frekuenca) dhe kërkesat e pajisjes përputhen. Kërkesat për këtë pajisje janë të deklaruara në

etiketë.

- VINI RE: Kjo pajisje është projektuar vetëm për gatim dhe është menduar vetëm për përdorim shtëpiak të brendshëm dhe nuk duhet të përdoret për ndonjë qëllim tjetër, ose në ndonjë kërkesë tjetër, të tilla si për përdorim jo-shtëpiak apo në një mjedis komercial apo për ngrohje ambienti.
- Mos u mundoni ta hiqni apo lëvizni pajisjen duke e tërhequr nga doreza e derës.
- Janë marrë të gjitha masat e mundshme të sigurisë për të garantuar sigurinë tuaj. Duke qenë se xhami mund të thyhet, ju duhet të jeni të kujdesshëm gjatë pasterimit për të shmangur gërvishtjet. Shmangni goditjet apo trokitjet mbi xham me aksesoret.
- Sigurohuni që kordoni furnizues nuk ka ngecur diku gjatë instalimit. Nëse kabloja furnizues është e dëmtuar, ajo duhet të zëvendësohet nga prodhuesi, agjenti i saj i shërbimit apo nga persona të kualifikuar në mënyrë të ngjashme për të parandaluar ndonjë rrezik.
- Kur dera e furrës është e hapur, mos lejoni fëmijët të ngjiten apo të ulen tek dera.

Paralajmërimet mbi instalimin

- Mos e përdorni pajisjen para se ajo të instalohet plotësisht.
- Pajisja duhet të instalohet nga një teknik i autorizuar dhe të vihet në përdorim. Prodhuesi nuk është përgjegjës për çdo dëm që mund të shkaktohet nga vendosja e gabuar dhe instalimi nga persona të paautorizuar.
- Kur ju shpaketoni pajisjen, sigu-

rohuni që ajo nuk është dëmtuar gjatë transportit. Në rast të ndonjë defekti; mos e përdorni pajisjen dhe kontaktoni menjëherë një agjent të kualifikuar të shërbimit. Duke qenë se materialet e përdorura për paketim (najloni, staplers, polistërol ... etj) mund të kenë efekte të dëmshme për fëmijët, ato duhet të mbliidhen dhe të hiqen menjëherë.

- Mbron pajisjen tuaj ndaj efekteve atmosferike. Mos e ekspozoni atë nën efekte të tilla si dielli, shiu, bora etj .
- Materialet përreth pajisjes (kabineti) duhet të jenë në gjendje të përballojnë një temperaturë prej min 100 °C.

Gjatë përdorimit

- Kur ju do përdorni furrën tuaj për herë të parë një erë e pakëndshme do të burojë nga materialet izoluese dhe elementet ngrohës. Për këtë arsye, para se të përdorni furrën tuaj, lëreni të punojë bosh në temperaturë maksimale për 45 minuta. Në të njëjtën kohë ju duhet të duhet të ajrosni ambientin në të cilin produkti është i instaluar.
- Gjatë përdorimit, sipërfaqet e jashtme dhe të brendshme të furrës nxehen. Kur hapni derën e furrës, ikni mbrapa për të shmangur avullin e nxehtë që del nga furra. Kjo mund të përbëjë rrezik për djegie.
- Mos vendosni materiale të ndezshme ose të djegshme, në ose në afërsi të pajisjes kur ajo është duke punuar.
- Gjithmonë përdorni doreza furre për të hequr dhe zëvendësuar ushqimin në furrë.
- Mos e lini pa mbikëqyrje tenx-

heren ndërsa gatvani me vajra të ngurtë apo të lëngshëm. Ato mund të marrin zjarr në kushtet e ngrohjes ekstreme. Asnjëherë mos derdh ujë mbi flakët që janë shkaktuar nga vaji. Mbuloni tiganin ose fritezën me kapakun e vet në mënyrë që të mbyten flakët që janë shkaktuar në këtë rast dhe fikni sobën.

- Në qoftë se ju nuk do të përdorni pajisjen për një kohë të gjatë, hiqeni nga priza. Fikeni edhe çelësin kryesor. Gjithashtu, kur ju nuk e përdorni pajisjen, mbyllni valvolën e gazit.
- Sigurohuni që çelësat e kontrollit të pajisjes janë gjithmonë në pozicionin "0" (stop) kur ajo nuk përdoret.
- Tavat anojini kur i tërhiqni për ti nxjerrë. Jini të kujdesshëm për të mos derdhur lëngun e nxehtë.
- Kur dera ose skara e furrës është hapur, mos lini asgjë mbi të. Ju mund të çekuilibroni pajisjen tuaj ose të thyeni kapakun.
- Mos vini gjëra të rënda a [p mallra të ndezshëm apo që marrin flakë lehtë (najloni, qese plastike, letër, rroba ... etj) në skarë. Kjo përfshin edhe enët e gatimit me aksesore plastik (p.sh. dorezat).
- Mos varni peshqirë, peceta për pjata apo veshje të pajisjes apo dorezat e saj.
- Gjatë pastrimit dhe mirëmbajtjes
- Gjithmonë fikeni pajisjen para veprimeve të tilla si pastrimi apo mirëmbajtja. Ju mund ti bëni këto pas fikjes së pajisjes apo duke fikur çelësin kryesor.
- Mos hiqni çelësat e kontrollit për të pastruar panelin e kontrollit.
- PËR TË RUAJTUR EFIKASITETIN

DHE SIGURINË E PAJISJES TUAJ NE JU REKOMANDOJMË QË GJITHMONË TË PËRDORNI PJESEORIGJINALE DHE NË RAST NEVOJE TË KONTAKTONI VETËM AGJENTIN E AUTORIZUAR TË SHËRBIMIT.

PËRGATITJA PËR INSTALIM DHE PËRDORIM

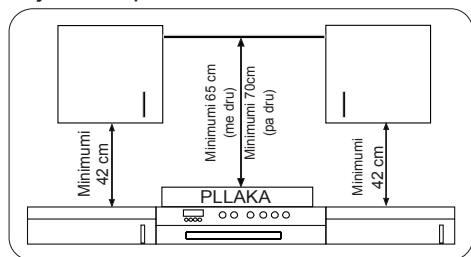
E prodhuar me pjesë dhe materiale të cilësisë më të mirë, kjo furrë moderne, funksionale dhe praktike do të plotësojë nevojat tuaja në të gjitha aspektet. Sigurohuni që të lexoni udhëzuesin për të patur rezultate të suksesshme dhe për të mos patur ndonjë problem në të ardhmen. Informacioni i dhënë më poshtë përmban rregulla që janë të nevojshme për pozicionimin e saktë dhe veprimet e shërbimit. Ato duhet të lexohen pa u anashkaluar sidomos nga tekniku, i cili do ta pozicionojë pajisjen.

KONTAKTONI SERVISIN E AUTORIZUAR PËR INSTALIMIN E FURRËS TUAJ!

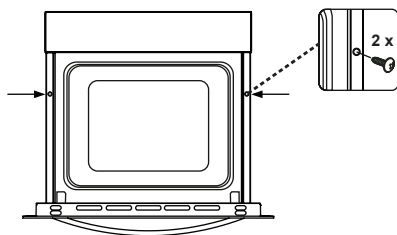
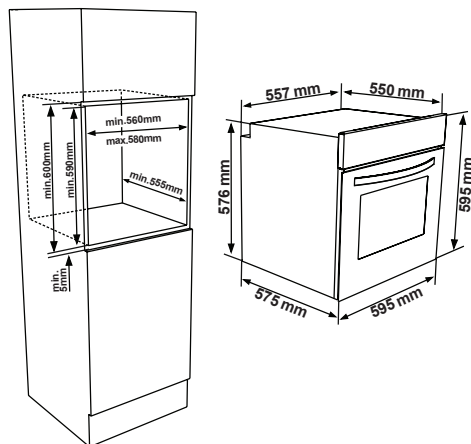
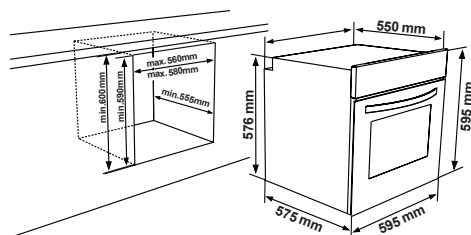
ZGJIDH NJË VEND PËR FURRËN

- Ka disa pika që kërkojnë vëmendje kur zgjidhni një vend për furrën tuaj. Sigurohuni të merrni parasysh rekomandimet tona si më poshtë për të parandaluar ndonjë problem dhe situata të rrezikshme, të cilat mund të ndodhin më vonë!
- Kur zgjidhni një vend për furrën, duhet t'i kushtohet vëmendje që nuk ka materiale të ndezshme ose të djegshme në afërsi të ngushtë, të tilla si perde, vaj, rroba etj e cila marrin zjarr shpejt.
- Mobiljet përreth furrës duhet të jenë nga materiale rezistente ndaj ngrohjes më shumë se 50 C ° nga temperatura e dhomës.

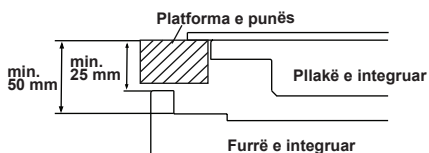
Ndryshimet e nevojshme në muret e kabinetit dhe ventilatorin e integruar të kombinuar me produktin, si dhe lartësitë minimale nga bazamenti i furrës janë paraqitur në figurën 1. Prandaj, ventilatori i shkarkimit duhet të jetë në një lartësi minimale prej 65 cm nga bazamenti i pllakës. Nëse nuk ka ventilator shkarkimi, lartësia nuk duhet të jetë më pak se 70 cm.



INSTALIMI I FURRËS SË INTEGRUAR



Fusni furrën në kabinet duke e shtyrë atë përpara. Hapni derën e furrës dhe futni 2 vida në vrimat e vendosura në kasën e furrës. Kur kasa e produktit prek sipërfaqen prej druri të kabinetit, fiksoni vidat.



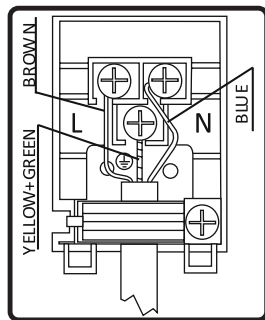
Nëse furra instalohet nën një pllakë, distanca mes platformës së punës dhe panelit kryesor të furrës duhet të jetë minimalisht 50 mm dhe distanca mes platformës së punës dhe paneli kryesor të kontrollit duhet të jetë minimalisht 25 mm.

INSTALIMI ELEKTRIK DHE SIGURIA E FURRËS SË INTEGRUAR

Udhëzimet e dhëna më poshtë duhet të ndiqen pa u anashkaluar gjatë instalimeve elektrike:

- Kablloja e tokëzimit duhet të jetë e lidhur me anë të vidave me shenjë e tokëzimit. Furnizimi i lidhje kablore duhet të jetë siç tregohet në figurën 6. Nëse nuk ka prizë të tokëzuar në përputhje me rregulloret në vendin e instalimit, telefononi menjëherë Shërbimin e Autorizuar.
- Priza e tokëzuar duhet të jetë në afërsi të pajisjes. Asnjëherë mos përdorni një zgjatues kabllor.

- Kabloja e furnizimit nuk duhet të kontaktojë sipërfaqen e nxehtë të produktit.
- Në rast të ndonjë dëmtimi të kabllos furnizuese, sigurohuni të kontaktoni servisën e autorizuar. Kabloja duhet të zëvendësohet nga servisi i autorizuar.
- Instalimet e pajisjes duhet të kryhen nga Shërbimi i autorizuar. Duhet të përdoret kablo furnizimi e llojit H05VV-F.
- Lidhjet e gabuara mund të dëmtojnë pajisjen. Një dëmtim i tillë nuk do të mbulohet nga garancia.
- Pajisja është projektuar për t'u lidhur me 220-240V ~ nëse energjia elektrike është ndryshe nga vlera e dhënë më lart, telefononi menjëherë Shërbimin e Autorizuar.
- **Firma prodhuese deklaron se nuk mban asnjë përgjegjësi për çdo lloj dëmi dhe humbje që rezulton nga mosveprimi në përputhje me normat e sigurisë!**
- Instalimet e pajisjes duhet të kryhen nga Shërbimi i autorizuar. Pajisja është
- dizenuar për tu lidhur me rrymë 220-240V~. Nëse rrjeti i energjisë elektrike është i ndryshëm nga vlera e dhënë, kontaktoni menjëherë servisën e autorizuar . Pajisja është projektuar për përdorim me prizë për lidhje të fiksuar në korrent. Është e nevojshme që të instaloni një çelës siguresë midis produktit dhe furnizimit me energji elektrike (rrjeti), me një ndërprerës minimal prej 3 mm midis çelsave të kontaktit. (20A vlerësuar, lloji i funksionit me vonesë).



3.4. PARALAJMËRIM I PËRGJITHSHËM DHE MASAT PARAPRAKE

Pajisja juaj është prodhuar në përputhje me udhëzimet përkatëse të sigurisë në lidhje me pajisje elektrike. Mirëmbajtja dhe punët riparuese duhet të kryhen vetëm nga teknikë të shërbimit të autorizuar të trajnuar nga firma prodhuese. Instalimi dhe puna riparuese, të kryera pa respektuar rregullat mund të jenë të rrezikshme.

Sipërfaqet e jashtme ngrohen, ndërkohë që pajisja juaj është duke funksionuar. Elementët që ngrohin sipërfaqen e brendshme të furrës dhe nxjerrin avullin jashtë janë jashtëzakonisht të nxehta. Këto seksione do të vazhdojnë të ruajnë nxehtësinë e tyre për një kohë të caktuar, edhe nëse pajisja është fikur. Asnjëherë mos prekni sipërfaqet e nxehta. Mbani fëmijët larg.

Në mënyrë që të gatvani në furrën Tuaj, butonat e funksionimit të furrës dhe regjistrimit të temperaturës duhet të rregullohen dhe edhe kohëmatësi i furrës, duhet të programohet. Përndryshe furra nuk funksionon.

Ndërsa dera e furrës është e hapur, mos

vendosni ndonjë gjë në të. Ju mund të prishni ekuilibrin e pajisjes ose të thyeni derën.

Stakoni pajisjen Tuaj kur ajo nuk është në përdorim.

Mbroni pajisjen tuaj ndaj efekteve atmosferike. Mos e lini atë nën efektet e diellit, shiut, borës, pluhurit etj.

Përdorimi i butonit të kontrollit të funksionimit të furrës

Funksionet e Furrës

* Funksionet e furrës tuaj mund të jenë të ndryshme për shkak të modelit të produktit tuaj.



Llamba e furrës:

Vetëm drita e furrës do të ndizet në dhe ajo mbetet ndezur mbi të gjitha në funksionet e gatimit.



Funksioni i shkrirjes:

Dritat paralajmëruese të furrës do të ndizen, ventilatori fillon të veprojë.

Për të përdorur funksionin e shkrirjes, merrni ushqimin tuaj të ngrirë dhe vendoseni në furrë në një raft të vendosur në slotin e tretë nga fundi. Është e rekomanduar që të vendosni një tabaka furre nën ushqimin për shkrirje, për të mbledhur ujin e akumuluar për shkak të shkrirjes së akullit. Ky funksion nuk do të gatuj apo pjek ushqimin tuaj, ai vetëm do të ndihmojë për ta shkrirë atë.



Funksioni Turbo

Termostati dhe dritat paralajmëruese të furrës do të ndizen, elementi i ngrohjes së skarës do të fillojë të veprojë.

Funksioni turbo shpërndan në mënyrë të barabartë ngrohjen në furrë. Të gjitha ushqimet në të gjitha raftet do të gatohen në mënyrë të barabartë. Është e rekomanduar parangrohje e furrës për 10 minuta.



Funksioni i gatimit statik:

Termostati dhe dritat paralajmëruese të furrës do të ndizen, elementet e ngrohjes së ulët dhe të lartë do të fillojnë të veprojnë. Funksioni i gatimit statik lëshon nxehtësi, duke siguruar gatimin e ushqimit me temperaturë të ulët dhe të lartë. Kjo është ideale për të bërë pasta, ëmbëlsira, pastiçe, lazanja dhe pica. Rekomandohet parangrohja e furrës për 10 minuta dhe ajo është mirë të gatuesh në vetëm një raft gjatë kësaj kohe në këtë funksion.



Funksioni i ventilatorit:

Termostati dhe dritat paralajmëruese të furrës do të ndizen, elementet e ngrohjes së skarës dhe ngrohjes së lartë dhe ventilatori do të fillojnë të veprojnë.

Ky funksion është shumë i mirë për rezultate të mira në pjekje brumi. Gatimi realizohet nga rezistenca e ulët dhe e lartë brenda furrës dhe nga çarkullimi i ajrit i siguruar nga ventilatori, i cili jep një efekt të lehtë skare tek ushqimi. Është e rekomanduar parangrohje e furrës për 10 minuta.



Funksioni i pjekjes në skarë:

Termostati dhe dritat paralajmëruese të furrës do të ndizen, elementi i ngrohjes së skarës do të fillojë të veprojë. Funksioni përdoret për pjekje në skarë dhe thekje të ushqimit, përdorni raftet e sipërme të furrës. Lyeni lehtë me furçë me vaj rrjetin

e skarës për të ndaluar ngjitjen e ushqimit dhe vendosni ushqimet në qendër të rrjetës. Gjithmonë vendosni një tabaka poshtë për të grumbulluar ndonjë pikë vaj apo yndyrë. Është e rekomanduar parangrohje e furrës për 10 minuta. Paralajmërim: Kur piqni në skarë, dera e furrës duhet të jetë e mbyllur dhe temperatura e furrës duhet të rregullohet në 190 °C.



Funksioni i pjekjes së shpejtë në skarë:

Termostati dhe dritat paralajmëruese të furrës do të ndizen, elementet e ngrohjes së skarës dhe ngrohjes së lartë do të fillojnë të veprojnë. Funksioni është përdorur për pjekje në skarë më të shpejtë dhe për të mbuluar një sipërfaqe më të madhe, të tilla si mish në skarë, përdorni raftet e sipërme të furrës. Lyeni lehtë me furçë me vaj rjetin e skarës për të ndaluar ngjitjen e ushqimit dhe vendosni ushqimet në qendër të rrjetës. Gjithmonë vendosni një tabaka poshtë për të grumbulluar ndonjë pikë vaj apo yndyrë. Është e rekomanduar parangrohje e furrës për 10 minuta. Paralajmërim: Kur piqni në skarë, dera e furrës duhet të jetë e mbyllur dhe temperatura e furrës duhet të rregullohet në 190 °C



Funksioni i dyfishtë i skarës dhe ventilatorit:

Termostati dhe dritat paralajmëruese të furrës do të ndizen, elementet e ngrohjes së skarës dhe ngrohjes së lartë dhe ventilatori do të fillojnë të veprojnë.

Funksioni përdoret për tiganisje më të shpejtë të ushqimeve të trasha dhe për mbulimin e një sipërfaqe më të madhe. Të dy elementet e sipërme të vatrës dhe

skarës do të bashkohen me ventilatorin për të siguruar edhe gatimin.

Përdorni raftet e sipërme të furrës Lyeni lehtë me furçë me vaj rjetin e skarës për të ndaluar ngjitjen e ushqimit dhe vendosni ushqimet në qendër të rrjetës. Gjithmonë vendosni një tabaka poshtë për të grumbulluar ndonjë pikë vaj apo yndyrë. Është e rekomanduar parangrohje e furrës për 10 minuta.

Paralajmërim: Kur piqni në skarë, dera e furrës duhet të jetë e mbyllur dhe temperatura e furrës duhet të rregullohet në 190°C°.



Funksioni pica:

Termostati dhe dritat paralajmëruese të furrës do të ndizen, elementet e ngrohjes së skarës dhe ngrohjes së lartë dhe ventilatori do të fillojnë të veprojnë.

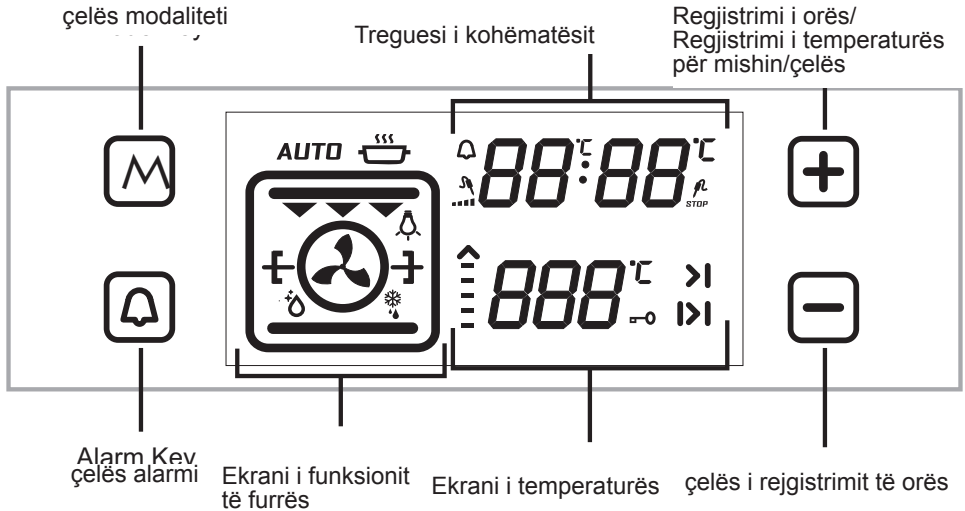
Funksioni i ventilatorit dhe i ngrohjes së ulët është ideale për ushqim të pjekur, të tilla si pica, në mënyrë të barabartë në një kohë të shkurtër. Ndërsa ventilatori shpërndan në mënyrë të barabartë nxehtësinë e furrës, elementi më i ulët i ngrohjes siguron pjekjen e brumit të gatimit.

RUAJTJA E ENERGJISË

Minimizoni sasinë e lëngshme ose yndyrën për të reduktuar kohët e gatimit.

Dera e furrës nuk duhet të hapet shpesh gjatë periudhës së gatimit.

4.2. SI TË PËRDORNI NJËSINË E KONTROLLIT ME PREKJE VISIO



Rregullimi i orës gjatë ditës:

Kur furra e integruar instalohet fillimisht ora gjatë ditës duhet të rregullohet në përputhje me udhëzimet si më poshtë.

Kur furra instalohet për herë të parë, "0.00" do të fillojë të ndizet në ekran. Prek sensorin "M" sensor ose sensorët "-" dhe "+" për të rregulluar modalitetin e orës ditore. ":" simboli do të fillojë të ndizet në ekran. Ju mund ta rregulloni atë me sensorët "-" dhe "+" sensor. Nëse modaliteti i gatimit Auto është fikur, prekni sensorët "-" dhe "+" në të njëjtën kohë për tek modaliteti i orës ditore. Ju mund ta rregulloni atë me sensorët "-" dhe "+".

Ju duhet të rregulloni orën ditore për të përdorur funksionin e furrës.

RREGULLIMI I KOHËS SË GATIMIT:

Regjistrimi i orës me zile afatshkurtër:

Prekni sensorin e alarmit, që tregon simboli " ". " " do të pulsojë mbi ekran. "0.00" do të shfaqet tek shifrat e orës. Regjistroni orën e dëshiruar për sinjalizim, duke përdorur sensorët Minus dhe Plus të kohëmatësit, ndërkohë që simboli pulson Pak kohë pas përfundimit të rregullimit, simboli do të fillojë të ndriçojë vazhdimisht. Kur simboli fillon të ndriçojë vazhdimisht, rregullimi akustik paralajmërues është kryer. Kur koha e caktuar mbaron, kohëmatësi jep një paralajmërim akustik dhe simboli fillon të pulsojë mbi ekran. Duke shtypur "-" ose "+" do të ndalohet paralajmërimi akustik dhe simboli mbi ekran do të zhduket.

Rregullimi i kohëzgjatjes së gatimit:

Ky funksion është përdorur për të gatuar në harkun kohor të dëshiruar Ushqimet që duhen gatuar janë vënë në furrë. Furra është regjistruar në funksionin e dëshiruar të gatimit. Temperatura e furrës është regjistruar në gradën e dëshiruar në varësi të gjellës për gatim Prekni sensorin "M" derisa ju të shihni simbolin e kohëzgjatjes "|>|" në ekranin e kohëmatësit. **"AUTO"** shfaqet në ekran. Rregulloni kohëne e gatimit për ushqimin që doni të gatuar, duke përdorur sensorët plus dhe minus të kohëmatësit ndërsa kohëmatësi është në këtë pozitë Pak kohë pasi veprimi i regjistrimit ka përfunduar, ora ditore do të shfaqet në ekran dhe simboli i kohëzgjatjes do të fillojë të ndriçojë vazhdueshëm mbi ekran.

Në përfundim të kohëzgjatjes së caktuar, kohëmatësi do të ndalojë furrën dhe do të japë një sinjalizim akustik. Gjithashtu, **"AUTO"** do të fillojë të pulsojë mbi ekran. Duke prekur një sensor çfardo të njësisë së kontrollit, sinjalizimi akustik do të ndalojë. **"AUTO"** do të vazhdojë të pulsojë. Prekni simbolet "-" dhe "+" në të njëjtën kohë për të përfunduar modalitetin **"AUTO"**.

Regjistrimi i kohës së mbarimit të gatimit:

Ky funksion është përdorur për të gatuar pas një periudhe të caktuar kohe, me një kohëzgjatje të caktuar. Ushqimi për t'u gatuar është vënë në furrë. Furra është regjistruar në funksionin e dëshiruar të gatimit. Temperatura e furrës është regjistruar në gradën e dëshiruar në varësi të gjellës për gatim Prekni sensorin "M" derisa ju të shihni simbolin e kohëzgjatjes "|>|" në ekranin e kohëmatësit. **"AUTO"**

shfaqet në ekran. Regjistroni kohën e gatimit për ushqimin që doni të gatuar duke përdorur sensorët Plus dhe minus të kohëmatësit, kur kohëmatësi ndodhet në këtë pozitë. Më pas prekni sensorin "M" derisa të shihni simbolin ">|" , ora do fillojë të pulsojë me kohën e gatimit të shtuar. Regjistroni kohën e mbarimit për ushqimin duke përdorur sensorët Plus dhe minus të kohëmatësit, kur kohëmatësi ndodhet në këtë pozitë. Pak kohë pasi të ketë përfunduar veprimi i regjistrimit, ora do të shfaqet në ekran dhe simboli ">|" do të ndriçojë vazhdimisht mbi ekran. Furra do të fillojë të funksionojë në orën e llogaritur duke zbritur kohën e gatimit nga koha e regjistruar e mbarimit dhe do të ndalet në kohën e mbarimit. Kohëmatësi do të lëshoj një sinjal akustik dhe **"AUTO"** do fillojë të pulsojë mbi ekran. Duke prekur çdonjërin nga butonat, sinjali akustik do të ndalet. **"AUTO"** do të vazhdojë të pulsojë. Prekni simbolet "-" dhe "+" në të njëjtën kohë për të përfunduar modalitetin **"AUTO"**.

Regjistrimi i sinjalit të orës dixhitale:

Shtypni sensorin "-" derisa të dëgjoni një tingull, ora do të jap një sinjal akustik. Pas pak kohe kur sensori "-" është shtypur, ora do të japë tri lloje sinjalesh të ndryshme. Mos prekni sensorë të tjerë dhe kohëmatësi do të ruaj llojin e sinjalit të shtypur në fund.

Funksioni i bllokimit të çelësit

Funksioni i bllokimit të çelësit përdoret për të shmangur vënien në punë gabimisht të ndonjë funksioni të njësisë kontrollit. Prekni sensorin "+" derisa të shihni simbolin e bllokimit të çelësit mbi ekran për të aktivizuar bllokimin me çelës. Prekni sensorin "+" për të çaktivizuar bllokimin e çelësit.

Ndërkohë që furra punon, nëse çelsat e kontrollit dhe butonat me prekje nuk janë shtypur apo prekur për 6 orë, furra do të fiket.

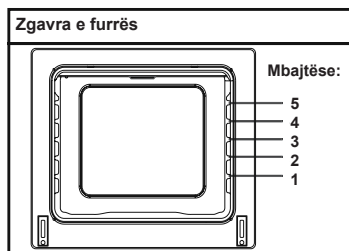
ENËT	TURBO			I ULËT- I LARTË			VENTILATOR I ULET- I LARTE			SKARA		
	Termostat poz. (°C)	Poz. i raftit	Koha e gatimit (min)	Termostat poz. (°C)	Poz. i raftit	Koha e gatimit (min)	Termostat poz. (°C)	Poz. i raftit	Koha e gatimit (min)	Termostat poz. (°C)	Poz. i raftit	Koha e gatimit (min)
Brunë me shtresa	170-190	1 -2/-3	35-45	170-190	1-2	35-45	170-190	1-2	25-35			
Kek	150-170	1 -2/-3	30-40	170 -190	1-2	30-40	150-170	1 -2/-3	25-35			
Biskota	150-170	1 -2/-3	25-35	170-190	1-2	30-40	150-170	1 -2/-3	25-35			
Qofte skare										200	4	10-15
Ushqim i lëngshëm	175-200	2	40-50	175-200	2	40-50	175-200	2	40-50			
Pulë				200	1-2	45-60	200	1-2	45-60	200	*	50-60
Bërxollë										200	3-4	15-25
Biftek										200	4	15-25
Kek në dy tabaka	160-180	1-4	30-40									
Brunë në dy tabaka	170-190	1-4	35-45									

* Gatim rosto pule në hell

Aksesorët

Produkti është furnizuar me aksesore. Ju gjithashtu mund të përdorni aksesoret që keni blerë nga burime të tjera, por ato duhet të jenë rezistente ndaj nxehtësisë dhe flakëve. Ju gjithashtu mund të përdorni pjata qelqi, forma torte dhe tabaka furre që janë të përshtatshme për përdorim në furrë. Ndiqni udhëzimet e prodhuesit kur përdorni aksesore të tjerë. Në rast se përdoren enë të vogla, vendosni enën mbi rrjet teli, pasi ajo do të jetë plotësisht në pjesën e mesme të rrjetës. Nëse ushqimi që do gatuhet nuk e mbulon tabakanë e furrës plotësisht, nëse ushqimi është marrë nga ngrirja e thellë apo tabaka është duke u përdorur për mbledhjen e ushqimeve të lëngshme që rrjedhin gjatë pjekjes në skarë, mund të vërehen ndryshime në formë në tabaka. Kjo është për shkak të temperaturave të larta që shfaqen gjatë gatimit. Tabakaja do të kthehet në formën e saj të vjetër, kur tabakaja do të ftohet pas gatimit. Kjo është një dukuri normale fizike që ndodh gjatë transferimit të ngrohjes. Mos vendosni tabaka qelqi të nxehtë dhe enë të nxehta në një mjedis të ftohtë direkt nga furra për të shmangur thyerjen e tabakasë apo enës. Mos e vendosni mbi sipërfaqe të ftohtë dhe të lagësht. Vendoseni mbi një leckë të thatë kuzhinë dhe lëreni të ftohet ngadalë. Kur përdorni skarën në furrën tuaj; ne rekomandojmë (sipas rastit) të përdorni rrjetën që e keni marrë bashkë me produktin. Kur përdorni rrjetën e telit; vendosni një tabaka në një nga raftet më të ulëta për të mundësuar grumbullimin e vajit. Mund të shtoni ujë në tabaka për të ndihmuar pastrimin. Siç shpjegohet në klauzolat përkatëse, kurrë mos përdorni grilën me gaz pa kapakun mbrojtës. Nëse furra juaj ka një skarë me gaz, por mungon mburoja e skarës, ose është

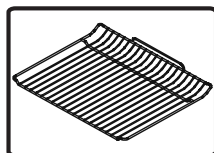
e dëmtuar dhe nuk mund të përdoret, kërkoni pjesë këmbimi nga qendra më e afërt e servisimit.



Aksesorët e furrës

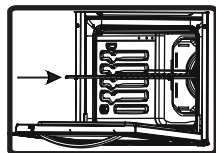
Aksesorët për furrën tuaj mund të jenë të ndryshëm për shkak të modelit të produktit tuaj.

Rrjetë teli



Rrjeta e telit përdoret për të pjekur në skarë apo për të vendosur enë gatimi të ndryshme në të.

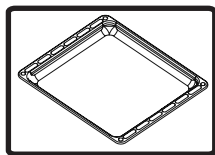
KUJDES- Vendosni si duhet rrjetën e telit në çdo raft korrespondues në zgavrën e furrës dhe shtyjeni atë në pjesën e prapme.



Tabakaja e cekët

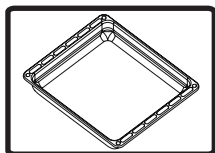
Tabakaja e cekët përdoret për të pjekur brumë të tilla si bazë torte etj. Për ta vendosur si duhet e vini atë në çdo raft dhe shtyjeni

nga pas.



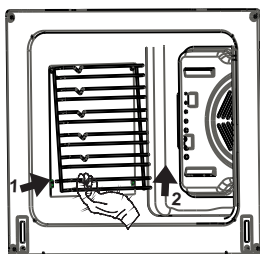
Tabakaja e thellë

Tabakaja e thellë është përdorur për të gatuar me avull. Për ta vendosur si duhet tabakanë në zgavër, e vini atë në çdo raft dhe shtyjeni atë në pjesën e prapme.



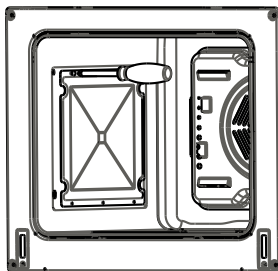
Heqja e rafteve rrjetë

Tërhiqni raftin rrjetë siç tregohet në figurë. Pasi ta keni liruar nga kapset, ngrijeni lart.



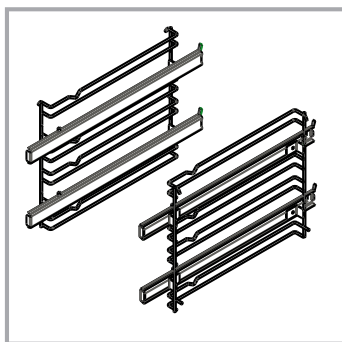
Heqja e panelit katalitik

Hiqni vidat G nga çdo panel i veshur i emaluar katalitik.



Shina teleskopike

Hiqni vidat G nga çdo panel i veshur i emaluar katalitik.



PASTRIMI DHE MIRËBAJTJA E FURRËS TUAJ

PASTRIMI

Para se të filloni të pastroni furrën tuaj, sigurohuni që të gjithë butonat e kontrollit janë fikur dhe pajisja juaj është ftohur. Stakoni pajisjen.

Mos përdorni materiale që përmbajnë grimca që mund të dëmtojnë smaltin dhe pjesët e ngjyrosura të furrës tuaj. Përdorni pastrues kremoz ose pastrues të lëngshëm, të cilat nuk përmbajnë grimca. Duke qenë se ato mund të dëmtojnë sipërfaqet, mos përdorni krem kaustik, pluhura pastrimi gërryes, lesh teli ose mjete të rënda. Në rast se lëngje të tepërta derdhen mbi furrën tuaj, ato mund të shkaktojnë një dëm në smalt. Menjëherë pastroni lëngjet e derdhura. Mos përdorni pastrues me avull për pastrimin e furrës.

Pastrimi i brendësisë së furrës

Sigurohuni që të hiqni nga priza furrën para se të filloni ta pastroni atë. Ju do të merrni rezultate më të mira në qoftë se pastroni brendësinë e furrës ndërsa furra është pak e ngrrohtë. Fshini furrën tuaj me një copë leckë të butë me ujë sapun pas çdo përdorimi. Pastaj fshijeni përsëri, këtë herë me një leckë të njomë, dhe thajeni. Një pastrim i plotë duke përdorur pastrues të tipit të thatë dhe pluhur. Për produktet me kornizë të emaluar katalitikem muret e pasme dhe anësore të

kornizës së brendshme, nuk kërkojnë pastrim. Gjithsesi; në varësi të përdorimit, është e rekomanduar që ju të zëvendësoni ato pas një periudhe të caktuar kohe.

MIRËBAJTJA

Zëvendësimi i dritës së furrës

Ndryshimi i llambës së furrës duhet të bëhet nga tekniku i autorizuar. Vlerësimi i llambës duhet të jetë 230V, 25Watt, Lloji E14, T300 para se të ndryshoni llambën, furra duhet të stakohet dhe duhet të jetë e ftohtë.

Dizajni i llambës është specifik për përdorim në pajisje gatimi shtëpiake dhe nuk është e përshtatshme për ndriçim dhomë familjare.

SHËRBIMI DHE TRANSPORTI

KËRKESA PARA MARRJES SË SHËRBIMIT

Nëse furra nuk funksionon:

Furra mund të jetë stakuar, ka pasur një ndërprerje. Në modelet e pajisur me një orë me zile, koha nuk mund të rregullohet.

Nëse furra nuk nxehet:

Ngrohja nuk mund të rregullohet me çelësin e kontrollit të vatrës së furrës.

Nëse llamba e ndriçimit të brendshëm nuk bën dritë:

Energjia elektrike duhet të kontrollohet. Duhet të kontrolloni nëse llambat janë të dëmtuara. Nëse janë të dëmtuara, ju mund të zëvendësoni ato si në udhëzimin në vijim.

Gatim (nëse pjesa e poshtme-sipërme nuk gatuan në mënyrë të barabartë):

Kontrolloni vendosjet e rafteve, kohën e gatimit dhe vlerat e ngrohjes sipas manualit.

Përveç këtyre, në qoftë se ju ende keni ndonjë problem me produktin tuaj, ju lutem telefononi në "Shërbimi i autorizuar".

INFORMACION LIDHUR ME TRANSPORTIN

Nëse keni nevojë për ndonjë transport:

Ruani kutinë origjinale të produktit dhe transportojeni atë me kutinë origjinale kur duhet të transportohet Ndiqni shenjat e transportit në kuti. Vendosni shirita

mbi sobën në pjesët e sipërme, mbulojeni dhe transportoni më vete panelin e gatimit.

Vendosni një letër midis kapakut të sipërm dhe panelit të gatimit, mbuloni kapakun e sipërm, dhe më pas vendosni shirita mbi sipërfaqet anësore të furrës.

Vendosni karton ose letër në kapakun frontal të xhamit interior të sobës pasi është më mirë për tavat, për rrjetat grilë dhe tabakatë brenda furrës nuk do të dëmtojnë kapakun e furrës gjatë transportit. Gjithashtu mbështillni kapakun e furrës në muret anësore.

Në qoftë se nuk e ka kutinë origjinale:

Merrni masat për sipërfaqet e jashtme (sipërfaqet e xhamit dhe ato të ljera) të furrës më të ekspozuara ndaj goditjeve të mundshme.

Уважаеми потребители,

Нашата цел е да Ви предложим висококачествени продукти, които надминават Вашите очаквания. Вашият уред е произведен с помощта на модерни съоръжения и е грижливо тестван за качество. Тези инструкции са изготвени с цел да Ви помогнат да използвате Вашия уред, който е произведен с най-модерните, надеждни и ефективни технологии. Преди да използвате Вашия уред, внимателно прочетете тези инструкции, които включват основна информация за безопасно монтиране, поддръжка и употреба. Моля, свържете се с най-близкия Оторизиран сервизен център за монтирането на Вашия продукт.

Съдържание

Представяне и размери на продукта

Предупреждения

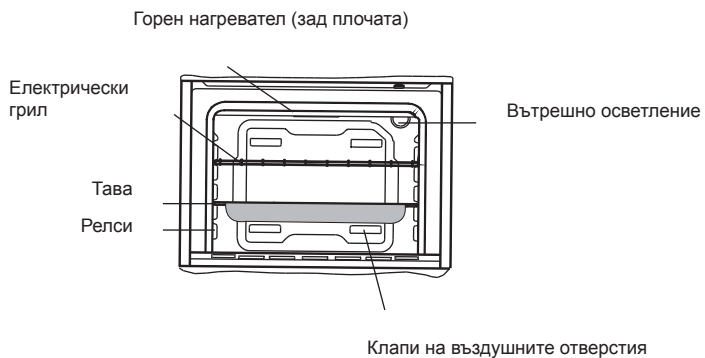
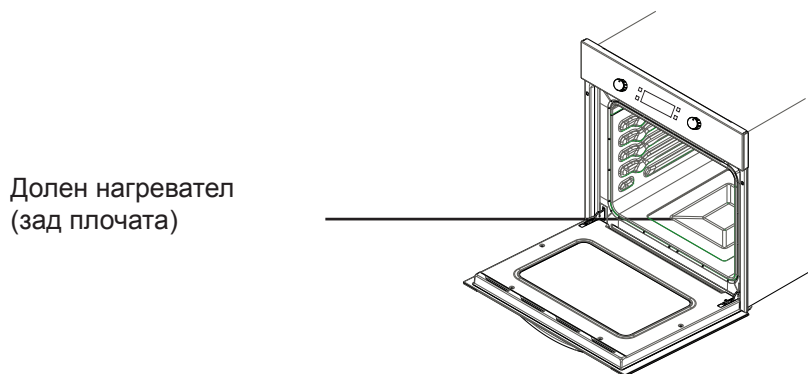
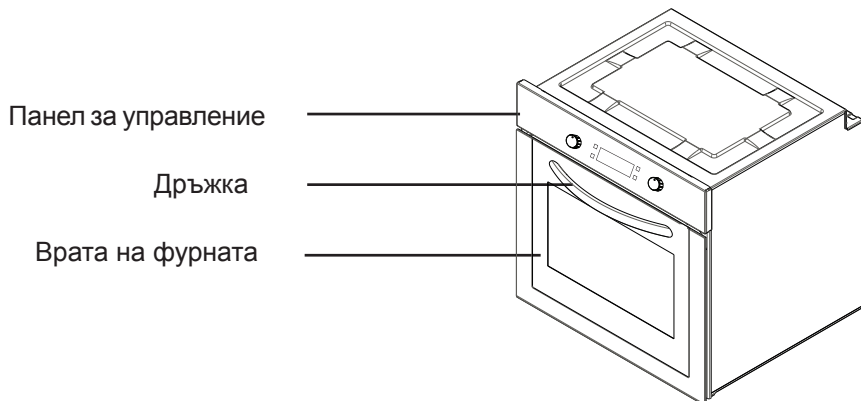
Подготовка за монтаж и употреба

Употреба

Почистване и поддръжка

Обслужване и транспортиране

ПРЕДСТАВЯНЕ И РАЗМЕРИ НА ПРОДУКТА



ПРЕДУПРЕЖДЕНИЯ ЗА БЕЗОПАСНОСТ

ПРЕДИ ДА ИЗПОЛЗВАТЕ УРЕДА, ПРОЧЕТЕТЕ ВНИМАТЕЛНО ТЕЗИ ИНСТРУКЦИИ ДОКРАЙ. ПАЗЕТЕ ГИ НА УДОБНО МЯСТО ЗА БЪДЕЩИ СПРАВКИ.

НАРЪЧНИКЪТ Е ПРЕДНАЗНАЧЕН ЗА ПОВЕЧЕ ОТ ЕДИН МОДЕЛ. ВЪЗМОЖНО Е ПРИ ВАШИЯ УРЕД ДА ОТСЪСТВАТ НЯКОИ ОТ ХАРАКТЕРИСТИКИТЕ, ОПИСАНИ В ТОЗИ НАРЪЧНИК. ДОКАТО ЧЕТЕТЕ НАРЪЧНИКА, ОБРЪЩАЙТЕ ВНИМАНИЕ НА ПРИМЕРИТЕ, ПОДКРЕПЕНИ С ИЗОБРАЖЕНИЯ.

Общи предупреждения за безопасност

- Този уред може да бъде използван от деца над 8 годишна възраст, както и от лица с намалени физически, сетивни или умствени възможности, както и от такива с липса на опит и познание, единствено когато са наблюдавани и инструктирани как да използват устройството по безопасен начин и разбират опасностите, които е възможно да въз-

никнат. Децата не трябва да си играят с уреда. Почистването и поддръжката не бива да се осъществяват от деца без родителски надзор.

- **ВНИМАНИЕ:** По време на ползване повърхността на уреда се нагорещява. Внимавайте да не докосвате нагревателите. Децата на възраст под 8 години не трябва да бъдат допускани в близост до уреда, освен ако не се наблюдават непрекъснато.
- **ВНИМАНИЕ:** Опасност от пожар: не оставяйте предмети върху плота.
- **ВНИМАНИЕ:** В случай че покритието се спука, изключете уреда, за да избегнете опасността от късо съединение.

- Уредът не е пригоден за употреба с външен таймер или отделна система за дистанционно управление.
- Устройството се нагорещява по време на работа. Внимавайте да не докоснете горещите елементи във вътрешността на фурната.
- Докато уредът работи, дръжките могат да се нагорещят.
- При почистване на стъклото на вратата и другите повърхности не използвайте абразивни препарати или остри метални стъргалки, тъй като покритията могат да се надраскат и повредят.
- Не почиствайте уреда с помощта на пара.
- **ВНИМАНИЕ:** С цел избягване възможността от токов удар, преди да пристъпите към смяна на крушката се уверете, че уредът е изключен.
- **ВНИМАНИЕ:** По време на ползване на фурната или грила повърхността на уреда може да се нагорещи. Децата не трябва да бъдат допускани в близост до уреда.
- Вашият уред е произведен в съответствие с всички приложими местни и международни стандарти и разпоредби.
- Действията по поддръжка и ремонт трябва да бъдат изпълнявани единствено от квалифицирани техници. Монтаж и поправка на уреда, извършени от неупълномощено лице могат да застрашат здравето Ви. Изменението или модифицирането на спецификациите на уреда по какъвто и да е начин е опасно.
- Преди да започнете монтажа се уверете, че местните условия за разпространение (естеството и налягането на газта, както и силата и честотата на подаваното напрежение) и изискванията за функциониране на уреда са съвместими. Изискванията за този уред са посочени върху етикета.
- **ВНИМАНИЕ:** Този уред е предназначен единствено за готвене на храна при условия на битова употреба и не трябва да бъде използван за други цели и

форми на приложение (напр. за комерсиални нужди или за отопление на помещения).

- Не се опитвайте да повдигате или премествате уреда, дърпайки дръжката на вратата.
- Всички възможни мерки за гарантиране на Вашата безопасност са предприети. При почистване се опитвайте да избегнете надраскване, тъй като стъклото може да се спуква. Избягвайте да удряте стъклото със съдовете.
- Уверете се, че по време на монтажа захранващият кабел не е приклеен. В случай че захранващият кабел бъде повреден, той трябва да бъде заменен от производителя, негов сервиз или от лице с подобна квалификация, с цел предотвратяване на евентуална опасност.
- Не позволявайте на децата да се катерят по вратата на фурната или да сядат върху нея, докато е отворена.

Предупреждения при монтаж

- Не включвайте уреда преди монтажът да е приключил.
- Уредът трябва да бъде монтиран и въведен в експлоатация от квалифициран техник. Производителят не поема отговорност за повреди, които е възможно да възникнат вследствие на неправилно разположение или монтаж от неупълномощено лице.
- При разопаковане се уверете, че уредът не е бил повреден по време на транспортирането му. В случай че установите повреда, не използвайте уреда, а се свържете незабавно с представител на квалифициран сер-

виз. Опаковъчните материали (полиетилен, телбод, стиропор и т.н.) могат да окажат вредно въздействие върху деца. Поради това трябва да бъдат отстранявани незабавно.

- Предпазвайте уреда от атмосферни влияния. Не го излагайте пряко на слънце, дъжд, сняг и т.н.
- Необходимо е предметите около уреда (напр. шкаф) да могат да издържат на температури от 100°C и повече.

По време на употреба

- При първото включване на фурната ще усетите миризма от изолационните материали и нагревателните елементи. Ето защо, преди да пристъпите към употреба на фурната я включете на максимална температура и я оставете да работи, без да поставяте нищо в нея за 45 минути. Необходимо е в същото време помещението, в което се намира фурната да бъде добре проветрено.
- По време на употреба външните и вътрешните повърхности на фурната се нагорещяват. При отваряне на вратата на фурната се отдръпнете, за да избегнете горещия поток пара, който излиза отвътре. Възможно е той да Ви причини изгаряния.
- Не поставяйте леснозапалими или експлозивни материали в близост до уреда, докато е включен.
- При поставяне и изваждане на храни от фурната винаги използвайте ръкавици.
- Не оставяйте уреда без надзор по време на готвене с твърди или течни мазнини. При нагря-

ване с много високи температури е възможно да възникне пламък. Никога не се опитвайте да гасите възпламенена мазнина с вода. Покрийте тенджерите и тиганите с капак, за да задушите пламъка и изключете уреда.

- Изключвайте уреда от захранването в случаите, когато не го ползвате за продължителни периоди. Изключвайте главния превключвател. Освен това, когато уредът не се ползва, дръжте вентила за газ изключен.
- Уверявайте се, че когато не работите с уреда, приборите за управление са винаги поставени в положение "0" (стоп).
- При издърпване навън тавите се накланят. Внимавайте да не разлеете горещата течност.
- Когато вратата или чекмеджето на фурната са отворени, не оставяйте нищо върху тях. Можете да нарушите баланса или покритието им.
- Не поставяйте тежки или леснозапалими предмети (пластмаса, найлонови чанти, хартия, парцали и т.н.) в чекмеджето. Това включва съдове с пластмасови аксесоари (напр. дръжки).
- Не закачайте кърпи, гюдерии и парцали върху уреда или дръжките му.
- При почистване и поддръжка
- Винаги изключвайте уреда преди да започнете действия по почистване и поддръжка. Изключете уреда от електрическата мрежа или изключете главните превключватели.
- При почистване на панела за управление не сваляйте кон-

тролните прибори.

- **ЗА ПОДДЪРЖАНЕ НА ЕФЕКТИВНА И БЕЗОПАСНА ЕКСПЛОАТАЦИЯ НА УРЕДА, ВИ ПРЕПОРЪЧВАМЕ ВИНАГИ ДА ИЗПОЛЗВАТЕ ОРИГИНАЛНИ РЕЗЕРВНИ ЧАСТИ И В СЛУЧАЙ НА НУЖДА ДА СЕ СВЪРЗВАТЕ ЕДИНСТВЕНО С НАШИ УПЪЛНОМОЩЕНИ СЕРВИЗНИ ПРЕДСТАВИТЕЛИ.**

ПОДГОТОВКА ЗА МОНТАЖ И УПОТРЕБА

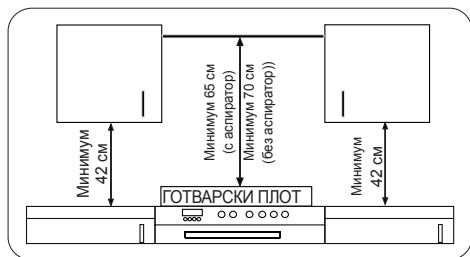
Изработена от компоненти и материали с най-добро качество, тази модерна, функционална и практична фурна отговаря на Вашите изисквания във всяко отношение. Прочетете ръководството за лесна и безпроблемна бъдеща експлоатация. По-долу е изложена информацията относно правилното позициониране и работа с уреда. Те със сигурност трябва да бъдат прочетени от техника, който ще извърши монтажа на фурната.

ЗА МОНТАЖА НА ФУРНАТА СЕ ОБЪРНЕТЕ КЪМ КВАЛИФИЦИРАН ТЕХНИК!

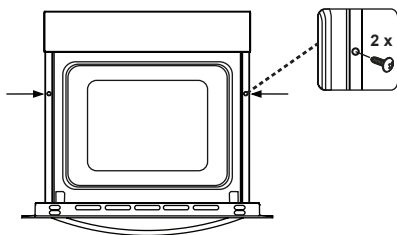
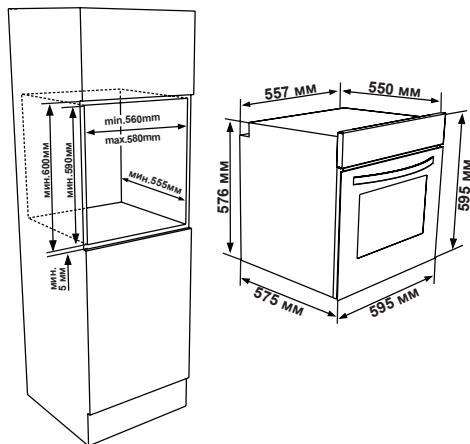
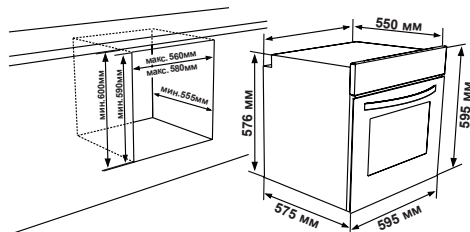
ИЗБОР НА МЯСТО

- При избора на място, където да разположите фурната, е необходимо да обърнете внимание на няколко неща. Вземете под внимание препоръките, които даваме по-долу, за да предотвратите проблеми и опасни ситуации, които могат да възникнат впоследствие!
- Докато избирате място за фурната, внимавайте в съседство да няма леснозапалими или експлозивни материали, като завеси, газови бутилки и т.н.
- Мебелите, заобикалящи фурната трябва да бъдат устойчиви на високи температури (до 50 °C над нормалната стайна температура).

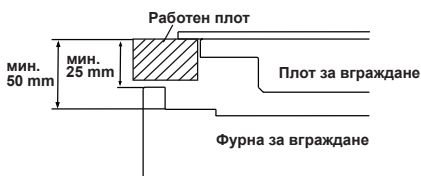
Необходимите промени в стенните шкафове и аспираторите над вградения комбиниран уред, както и минималните височини над борда на фурната са показани на изображение 1. Минимално необходимо разстояние между аспиратора и готварския плот е 65 см. В случай че няма такъв, височината трябва да бъде най-малко 70 см.



МОНТИРАНЕ НА ВГРАДЕНА ФУРНА



Поставете фурната в шкафа, като я бутнете напред. Отворете вратата на фурната и поставете два винта в отворите на рамката. Затегнете винтовете, като рамката на фурната трябва да докосва повърхността на дървения шкаф.



Ако фурната е монтирана под готварски плот, разстоянието между горния ѝ панел и плота трябва да бъде най-малко 50 мм, а разстоянието между кухненския плот и горната част на панела за управление - поне 25 мм.

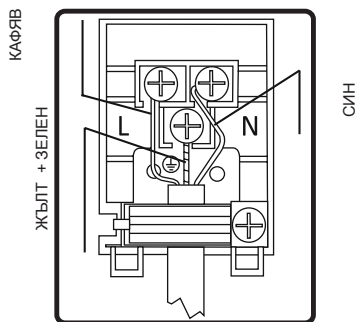
ЕЛЕКТРИЧЕСКО СВЪРЗВАНЕ И МЕРКИ ЗА БЕЗОПАСНОСТ

По време на свързване към електрическата мрежа посочените по-долу инструкции трябва да бъдат следвани точно:

- Заземителният кабел трябва да бъде свързан към съответната маркировка посредством винт. Свързването на захранващия кабел трябва да бъде изпълнено, както е показано на изображение 6. Ако в местната електрическа инсталация няма заземен контакт, съответстващ на нормите, незабавно се свържете с упълномощен сервизен представител.

- Заземеният контакт трябва да се намира в непосредствена близост до уреда. Никога не използвайте удължител.
- Захранващият кабел не трябва да се допира до нагорещяващите се повърхности на уреда.
- При констатиране на повреди по захранващия кабел, се свържете с упълномощен сервизен представител за подмяна.
- Кабелното свързване на уреда трябва да бъде изпълнено от упълномощен сервизен представител.
- Използваният кабел трябва да бъде от тип H05VV-F.
- Неправилно свързване може да повреди уреда. Повреди от такъв тип не се покриват от гаранцията.
- Уредът е проектиран за работа при 220-240V~. При различни от посочените стойности незабавно се свържете с упълномощен сервизен представител.
- **Производителят декларира, че не носи отговорност за всякакъв вид повреди, породени от неспазване на нормите за безопасност!** Кабелното свързване на уреда трябва да бъде изпълнено от упълномощен сервизен представител.
- Уредът е проектиран за работа при 220-240V~. При различни от посочените стойности, незабавно се свържете с упълномощен сервизен представител. Уредът може да бъде свързан към електрическата мрежа посредством щепсел или фиксирано свързване. Необходимо е да монтирате двуполусен превключвател между продукта и електрическата мрежа с минимално разстояние между контактите от 3 мм (с номи-

нална сила 20А и забавено функциониране).



3.4. ОБЩИ ПРЕДУПРЕЖДЕНИЯ И МЕРКИ ЗА БЕЗОПАСНОСТ

Този уред е произведен в съответствие с всички указания за безопасност, отнасящи се за електрически устройства. Действията по поддръжка и ремонт трябва да бъдат изпълнявани единствено от квалифицирани техници, обучени от производителя. Монтаж и поправка на уреда, извършени от неупълномощено лице могат да доведат до опасност.

Външните повърхности на уреда се нагряват по време на работа. Елементите, нагряващи вътрешността на фурната и парата вътре в нея са изключително горещи. Те запазват топлината си за известно време, дори и след като уредът бъде изключен. Никога не докосвайте нагорещените повърхности. Децата трябва да бъдат държани далеч.

Преди да започнете готвене е необходимо да зададете програма чрез контролните регулатори за избор на функция и температурна настройка. Докато не изпълните това, фурната няма да функционира.

Не поставяйте нищо върху отворената врата. По този начин бихте могли да нарушите баланса на фурната или да счупите вратата.

Изключвайте уреда от електрическата мрежа, когато не работите с него. Предпазвайте уреда от атмосферни влияния. Не излагайте уреда на

слънце, дъжд, сняг, прах и т.н.

Употреба на контролния регулатор за функциите на фурната

Функции на фурната

* Функциите на Вашата фурна могат да се различават от посочените поради различия в моделите.



Вътрешно осветление:

Вътрешното осветление се включва и остава да работи при всички готварски функции.



Функция размразяване:

Светлинните индикатори за функциониране на фурната се активират, а вентилаторът се включва.

При използване на функцията размразяване, поставете замразената храна върху стелаж, разположен в третото гнездо от долу нагоре. Препоръчва се под храната да поставяте тава за събиране на водата, получена при размразяването. С тази функция можете единствено да размразите храната, не и да я сготвите.



Функция Турбо

Светлинните индикатори за функциониране на фурната и на термостата се активират. Пръстеновидните нагреватели и вентилаторът се включват.

Функция Турбо разпределя равномерно топлината във фурната. По този начин храната върху всички стелажки се изпича еднакво добре. Препоръчва се десетминутно пред-

варително затопляне на фурната.



Статично готвене:

Светлинните индикатори за функциониране на фурната и на термостата се активират. Горният и долният нагревател се включват. При функцията Статично готвене уредът излъчва топлина, която гарантира равномерно печене от долната и горната страна, което е идеално за приготвяне на сладкиши, кексове, тестени храни, лазаня и пица. При използване на тази функция се препоръчва десетминутно предварително затопляне на фурната и готвене само на единия от стелажите.



Функция вентилатор:

Светлинните индикатори за функциониране на фурната и на термостата се активират. Горният, долният нагревател и вентилаторът на фурната се включват.

Тази функция е много удобна за приготвяне на сладкиши. Готвенето се осъществява с помощта на долния и горния нагревател, както и вентилатора, осигуряващ въздушна циркулация. Това придава лек "грил ефект" на храната. Препоръчва се десетминутно предварително затопляне на фурната.



Печене на грил:

Светлинните индикатори за функциониране на фурната и на термостата се активират. Нагревателят на грила се включва. Функцията служи за печене на грил и препичане на храни. При нея се използват горните стелажки на фурната. Леко намажете решетката с масло, за да предотвратите залепване

и поставете храната в нейния център. Винаги поставяйте тава за оттичане на мазнина под решетката. Препоръчва се десетминутно предварително затопляне на фурната. Предупреждение: При печене на грил вратата на фурната трябва да бъде затворена, а температурата на фурната настроена на 190°C.



Бързо печене на грил:

Светлинните индикатори за функциониране на фурната и на термостата се активират. Нагревателят на грила и горният нагревател на фурната се включват. Тази функция служи за по-бързо печене на грил, както и за покриване на по-голяма повърхност, като при печене на месо. При нея се използват горните стелажи на фурната. Леко намажете решетката с масло, за да предотвратите залепване и поставете храната в нейния център. Винаги поставяйте тава за оттичане на мазнина под решетката. Препоръчва се десетминутно предварително затопляне на фурната. Предупреждение: При печене на грил вратата на фурната трябва да бъде затворена, а температурата на фурната настроена на 190°C.



Функция двоен грил и вентилатор:

Светлинните индикатори за функциониране на фурната и на термостата се активират. Грилът, горният нагревател на фурната и вентилаторът се включват.

Използва се за по-бързо изпичане на грил на плътни храни, при обхващане на по-голяма повърхност. Горният нагревател и грилът се включват

заедно с вентилатора, което помага за равномерно изпичане.

Използвайте горните стелажи на фурната. Леко намажете решетката с масло, за да предотвратите залепване и поставете храната в нейния център. Винаги поставяйте тава за оттичане на мазнина под решетката. Препоръчва се десетминутно предварително затопляне на фурната.

Предупреждение: При печене на грил вратата на фурната трябва да бъде затворена, а температурата настроена на 190°C.



Функция Пица:

Светлинните индикатори за функциониране на фурната и на термостата се активират. Пръстеновидният и долният нагревател, заедно с вентилаторът се включват.

Спомощта на вентилатора и функцията за нагриване отдолу могат да се приготвят храни като пица, равномерно и за кратко време. Докато вентилаторът разпределя равномерно топлината във фурната, долният нагревател осигурява доброто изпичане на тестото.

ИКОНОМИЯ НА ЕНЕРГИЯ

Ограничете количеството течност или мазнина, за да намалите времетраенето на готвене.

По време на готвене вратата на фурната не трябва да бъде отваряна прекалено често.

екрана. С докосване на “ - ” или “ + ” аудио сигналят се прекратява, а символът изчезва от дисплея.

Настройване времетраенето за готвене:

Тази функция се използва за готвене във времеви диапазон по желание. Храната се поставя във фурната. Избира се желаната функция за готвене. Температурата на фурната се регулира по желание, в зависимост от приготвяното ястие. Докоснете неколкократно сензорен бутон “М”, докато върху дисплея се появи символът за времетраене “|>|”. Върху дисплея се визуализира “**AUTO**”. Регулирайте времетраенето за готвене, в зависимост от приготвяната храна с помощта на сензорните бутони плюс и минус, докато таймерът се намира в това положение. След приключване на действието, върху дисплея ще се появи текущият час, а символът, обозначаващ времетраенето ще започне да свети без прекъсване.

След приключване на зададената продължителност, таймерът ще изключи фурната и ще прозвучи звуков сигнал. Символът “**AUTO**” ще започне да премигва върху дисплея. Докоснете произволен бутон върху сензорния панел, за да прекратите звуковия предупредителен сигнал. Символът “**AUTO**” ще продължи да премигва. Докоснете едновременно символите “ - ” и “ + ” за преустановяване действието на режим “**AUTO**”.

Задаване на времето за приключване на готвенето:

Функцията се използва за готвене след определен период от време при зададена продължителност. Храната се поставя във фурната. Избира се желаната функция за готвене. Температурата на фурната се регулира по желание, в зависимост от приготвяното ястие.

Докоснете неколкократно сензорен бутон “М”, докато върху дисплея се

появи символът за времетраене “|>|”. Върху дисплея се визуализира “**AUTO**”. Регулирайте времетраенето за готвене, в зависимост от приготвяната храна с помощта на сензорните бутони плюс и минус, докато таймерът се намира в това положение. След това докоснете неколкократно сензорен бутон “М”, докато върху дисплея се появи символът за времетраене “|>|”. Точният час ще започне да премигва, заедно с времетраенето за готвене. Регулирайте часа за приключване на готвенето с помощта на сензорните бутони плюс и минус, докато таймерът се намира в това положение. След приключване на действието, върху дисплея ще се появи текущият час, а символът “>|” ще започне да свети без прекъсване. Фурната ще се включи в момента, изчислен чрез изваждане на времетраенето за готвене от зададения краен час и ще се изключи при неговото достигане. Таймерът ще издаде звуков предупредителен сигнал, а символът “**AUTO**” ще започне да премигва върху дисплея. Докоснете произволен бутон върху таймера, за да прекратите звуковия предупредителен сигнал. Символът “**AUTO**” ще продължи да премигва. Докоснете едновременно символите “ - ” и “ + ” за преустановяване действието на режим “**AUTO**”.

Настройване на звуковото сигнализиране на цифровия таймер:

Докоснете и задръжте бутон “ - ” върху сензорния панел, докато чуete звук. Таймерът ще издаде еднократен аудио сигнал. След всяко натискане на бутон “ - ” върху сензорния панел, таймерът ще издава различен звуков сигнал. Налични са общо три вида звукова сигнализация. Не докосвайте никой от останалите сензорни бутони и таймерът ще запамети последно избрания звуков сигнал.

Функция за заключване на бутоните

Функцията за заключване на бутоните служи за предотвратяване на нежелани действия върху панела за управление. Докоснете последователно няколко пъти бутон “ + ” върху сензорния панел, докато символът на функцията за

заклучване на бутоните не бъде показана върху дисплея. След това действие функцията е активирана. Докоснете бутон “+” за деактивиране на функцията за заключване на бутоните.

В случай че панелът за управление бъде активиран и никой от бутоните не бъде натиснат в продължение на 6 часа по време на работа на фурната, при изтичане на този период фурната се изключва.

ЯСТΙΑ	ТУРЕО			ДОЛЕН-ГОРЕН			ДОЛЕН-ГОРЕН ВЕНТИЛАТОР			ГРИЛ	
	Положение на термостапта (°C)	Положение на решетката	Време за готвене (мин)	Положение на термостапта (°C)	Положение на решетката	Време за готвене (мин)	Положение на термостапта (°C)	Положение на решетката	Време за готвене (мин)	Положение на термостапта (мин)	Положение на решетката
Сладкиши на пластове	170-190	1-2-3	35-45	170-190	1-2	35-45	170-190	1-2	25-35		
Кекс	150-170	1-2-3	30-40	170-190	1-2	30-40	150-170	1-2-3	25-35		
Курабийки	150-170	1-2-3	25-35	170-190	1-2	30-40	150-170	1-2-3	25-35		
Кюфлета на грил										200	4
Воднисти храни	175-200	2	40-50	175-200	2	40-50	175-200	2	40-50		
Пиле				200	1-2	45-60	200	1-2	45-60	200	*
Котлети										200	3-4
Бифтек										200	4
Кекс в две тапи	160-180	1-4	30-40								
Сладкиши в две тапи	170-190	1-4	35-45								

* Използвайте шишчета...

Акcesoари

Заедно с продуктът са предоставени и акcesoари. Можете да използвате и акcesoари, закупени от други места, при условие че са устойчиви на топлина и огън, както и стъклени съдове, форми за сладкиши и тави, подходящи за фурна. При ползване на други акcesoари следвайте инструкциите на производителя. Когато готвите в малки съдове, ги поставяйте върху средната част на решетката. Ако храната не покрива тавата напълно, ако е поставена вътре в нея непосредствено, след като е извадена от фризера или ако тавата е била използвана за събиране на мазнини при печене на грил, е възможно да промени формата си. Това се получава вследствие на високите температури по време на готвене. Тавата възвръща старата си форма, след като се охлади. Това е нормално физическо явление. Не поставяйте горещи стъклени съдове в студена среда веднага, след като ги извадите от фурната, за да не се счупят. Не ги поставяйте върху студени и влажни повърхности. Когато стъклените съдове са горещи, ги сложете върху суха кърпа и ги оставете да се охладят. При използване на грила препоръчваме (където е уместно) да поставяте решетката, предоставена заедно с продукта. Заедно с решетката винаги поставяйте и тава за оттичане на мазнина на по-долните стелажи. За по-лесно почистване, в тавата можете да сложите вода. Както е обяснено в съответните точки, никога не правете опит да използвате грил с газов нагревател без предпазен капак. Ако Вашата

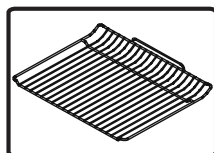
фурна разполага с грил с газов нагревател, но предпазният капак липсва или е повреден и не може да бъде използван, поискайте такъв от най-близкия сервизен център.



Акcesoари на фурната

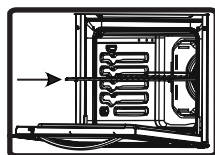
Акcesoарите на Вашата фурна могат да се различават от показаните поради различия в моделите.

Решетка



Използва се за поставяне на различни съдове при печене на грил.

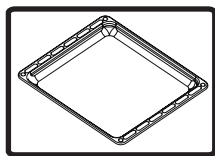
ПРЕДУПРЕЖДЕНИЕ- Наместете решетката точно върху релсите и я бутнете навътре.



Плитка тава

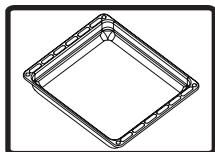
Служи за приготвяне на сладкиши,

като плодови пати и др. подобни. Сложете тавата върху релсите и я бутнете навътре.



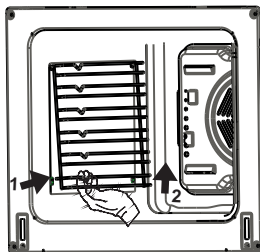
Дълбока тава

Използва се за приготвяне на яхнии. Сложете тавата върху релсите и я бутнете навътре.



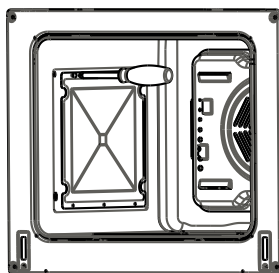
Изваждане на решетъчния стелаж

Издърпайте го, както е показано на изображението. След като бъде освободен от скобите, го повдигнете.



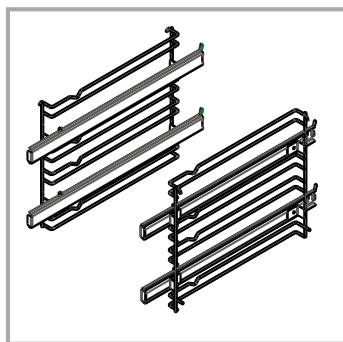
Изваждане на каталитичния панел

Развийте винтовете от всички емайлирани каталитични панели.



Телескопични релси

Развийте винтовете от всички емайлирани каталитични панели.



ПОЧИСТВАНЕ И ПОДДРЪЖКА НА ФУРНАТА

ПОЧИСТВАНЕ

Преди почистване на фурната се уверете, че всички контролни регулатори са изключени, както и че е изстинала. Изключете я от електрическата мрежа.

Не използвайте почистващи материали с частици, които е възможно да надраскат емайлираните и

боядисаните части на фурната. Използвайте крем за почистване или течни почистващи препарати, които не съдържат частици. Разяждащите кремове, абразивните почистващи прахове, търкане с телена вата или твърди инструменти могат да наранят повърхностите. Разлетите върху емайла течности ще загорят и ще повредят покритието. Почиствайте ги незабавно. Не почиствайте уреда с помощта на пара.

Почистване на вътрешността на фурната.

Преди да започнете почистването се уверете, че уредът е изключен от електрическата мрежа. Вътрешността на фурната се почиства най-добре, докато е леко затоплена. След всяко готвене избърсвайте вътрешността с мека кърпа, навлажнена със сапунена вода. След това я избършете с мокра кърпа, а накрая я подсушете. Можете да избършвате цялостно почистване с помощта на сухи и прахообразни почистващи препарати.

Каталитичните емайлирани панели на продукта отзад и отстрани на вътрешната рамка не се нуждаят от почистване. Въпреки това, в зависимост от честотата на използване, се препоръчва след известен период от време да бъдат подменени.

ПОДДРЪЖКА

Смяна на крушка за вътрешното осветление

Смяната на крушка за вътрешното осветление на фурната трябва да бъде извършено от квалифициран техник. Крушката трябва да бъде 230V, 25W, тип E14, T300. Преди смяната уредът трябва да бъде изключен от електрическото захранване и изстинал.

Дизайнът на крушката е специфичен и предназначен за използване в домакински уреди за готвене, а не за осветление на помещения.

ОБСЛУЖВНЕ И ТРАНСПОРТИРАНЕ

ПРЕДИ ДА ПОТЪРСИТЕ СЕРВИЗНО ОБСЛУЖВАНЕ

Фурната не функционира:

Възможно е да е изключена от електрическото захранване, ако дисплеят не показва нищо. Възможно е таймерът да не е регулиран (при моделите оборудвани с такъв).

Фурната не се нагрива:

Възможно е температурната настройка да не е зададена от контролния регулатор.

Вътрешното осветление не работи:

Проверете дали няма прекъсване в електрическото захранване. Проверете дали крушката не е изгоряла. В такъв случай, можете да я замените, както е описано в по-горе.

Готвене (долният или горният нагревател не се нагриват равномерно):

Проверете разположението на стелажите, времетраенето на готвене и температурните стойности, съгласно описанията в наръчника.

Ако все още имате проблеми с продукта, се свържете с упълномощен сервизен представител.

ТРАНСПОРТИРАНЕ

При необходимост от транспортиране:

Съхранявайте оригиналната опаковка на продукта и при нужда го

транспортирайте в нея. Спазвайте символите за транспортиране върху опаковката. Залепете горните части на фурната, както и решетките за нагревателните панели.

Поставете хартия между горното покритие и нагревателния панел, покрийте го и го залепете за страничната повърхност на фурната.

Залепете картон или хартия върху вътрешната част на предното стъкло, което да го предпази от тавите и решетката по време на транспортиране. Залепете и капачите на фурната към страничните стени.

Ако не сте запазили оригиналната опаковка:

Предпазете външните повърхности (стъклени и боядисани) от възможни повреди.

Vážený zákazníku,

naším cílem je nabídnout vám vysoce kvalitní produkty, které překročí vaše očekávání. Váš spotřebič je vyroben v moderních závodech a jeho kvalita je pečlivě testována. Tento návod je připraven tak, aby vám pomohl s použitím vašeho spotřebiče, který byl vyroben za použití nejnovějších technologií. Před použitím spotřebiče si pečlivě přečtěte tento návod, který obsahuje základní informace o bezpečné instalaci, údržbě a použití. Ohledně instalace svého produktu kontaktujte nejbližší autorizovaný servis.

Obsah

Prezentace a velikost produktu

Varování

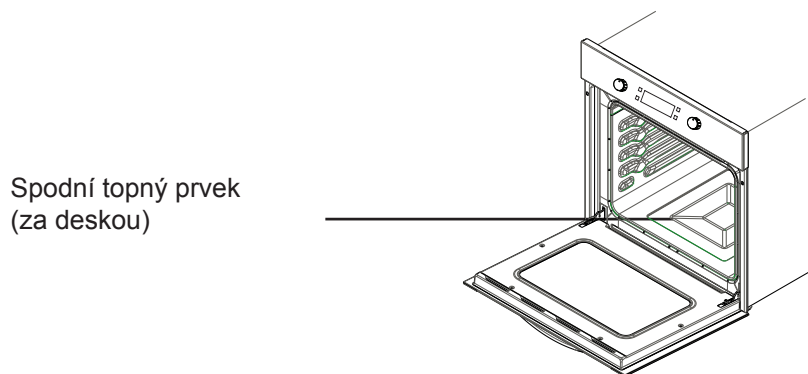
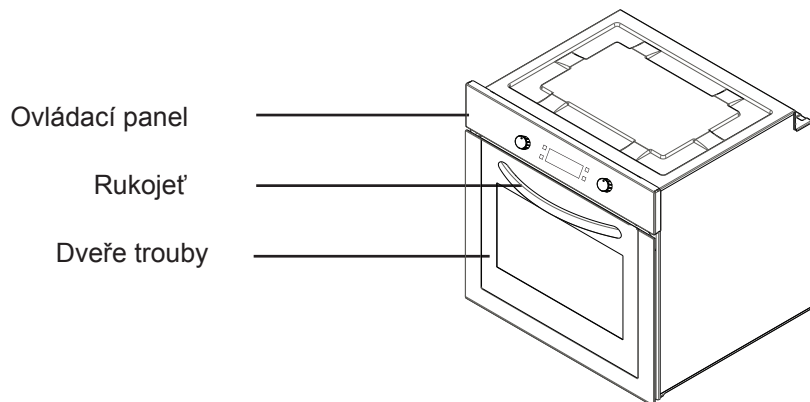
Příprava k instalaci a použití

Použití trouby

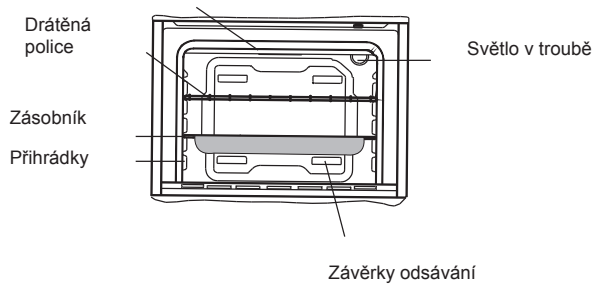
Čištění a údržba vašeho produktu

Servis a přeprava

PREZENTACE A VELIKOST PRODUKTU



Horní topný prvek (za deskou)



BEZPEČNOSTNÍ UPOZORNĚNÍ

TYTO POKYNY SI PŘEČTĚTE PEČLIVĚ JEŠTĚ NEŽ ZAČNETE SPOTŘEBIČ POUŽÍVAT A UCHOVEJTE JE NA PRAKTICKÉM MÍSTĚ, KDE JE V PŘÍPADĚ POTŘEBY NALEZNETE.

TENTO NÁVOD K POUŽITÍ JE PŘIPRAVEN PRO VÍCE NEŽ JEDEN MODEL. VÁŠ SPOTŘEBIČ NEMUSÍ MÍT NĚKTERÉ Z FUNKCÍ UVEDENÝCH V TOMTO NÁVODU. BĚHEM ČTENÍ NÁVODU VĚNUJTE POZORNOST VÝRAZŮM, KTERÉ MAJÍ OBRÁZKY.

Obecná bezpečnostní upozornění

- Tento spotřebič mohou používat děti starší 8 let a osoby s omezenými tělesnými, smyslovými nebo mentálními schopnostmi anebo osoby bez příslušných znalostí a zkušeností, pokud jsou pod dozorem nebo byly poučeny o bezpečném užívání tohoto přístroje a chápou související

nebezpečí. Děti si se zařízením nesmí hrát. Čištění a údržba nesmí být prováděny dětmi bez dohledu dospělé osoby.

- **VAROVÁNÍ:** Spotřebič a dostupné části se při používání zahřívají. Dávejte pozor, abyste se nedotkli topných prvků. Děti do 8 let věku udržujte mimo dosah nebo pod stálým dohledem.
- **VAROVÁNÍ:** Nebezpečí požáru: na povrchu určeném k vaření neskladujte žádné předměty.
- **VAROVÁNÍ:** Je-li povrch nalomený, vypněte spotřebič, abyste tak předešli možnosti úrazu elektrickým proudem.
- Spotřebič by se neměl spínat pomocí externího časovače

nebo samostatného dálkového ovládní.

- Během použití se spotřebič zahřeje. Dávejte pozor, abyste se nedotkli topných prvků.
- Během použití se mohou rukojeti při běžném používání zahřát.
- Nepoužívejte drsné abrazivní čisticí prostředky nebo ostré kovové stěrky na čištění skla dvířek trouby, protože mohou poškrábat povrch, což může vést k poničení skla nebo poškození povrchu.
- K čištění spotřebiče nepoužívejte parní čističe.
- **VAROVÁNÍ:** Než začnete žárovku vyměňovat, ujistěte se, zda je spotřebič vypnutý, abyste tak předešli možnosti

úrazu elektrickým proudem.

- **UPOZORNĚNÍ:** Při vaření nebo grilování se mohou přístupné části zahřát. Malé děti udržujte mimo dosah.
- Váš spotřebič je vyrobený v souladu se všemi platnými a mezinárodními směrnici a nařízeními.
- Údržbu a opravy musí provádět pouze autorizovaní servisní technici. Instalace a opravy prováděné neautorizovanými techniky vás mohou ohrozit. Jakákoli úprava nebo změna specifikací spotřebiče je nebezpečná.
- Před instalací se ujistěte, zda lokální distribuční sítě (druh plynu a tlak plynu nebo elektrické napětí a kmitočet) jsou kompatibilní s požadavky spotřebiče. Požadavky pro tento spotřebič jsou uvedeny na štítku.
- **UPOZORNĚNÍ:** Tento spotřebič je navržen pouze k vaření potravin a je určen pouze k domácímu použití a nesmí být použit k žádnému jinému účelu nebo v jiném prostředí, například k nedomácímu použití nebo v komerčním prostředí nebo k vytápění místnosti.
- Spotřebič se nepokoušejte zdvihnout ani posunovat tahem za rukojeť dveří.

- K zajištění vaší bezpečnosti je třeba přijmout veškerá možná bezpečnostní opatření. Vzhledem k tomu, že se sklo může rozbít, musíte dávat během čištění pozor, abyste sklo nepoškrábali. Dejte pozor, abyste příslušenstvím nenarazili do skla.
- Během instalace zkontrolujte, zda není napájecí kabel zaklíněný. Je-li napájecí kabel poškozený, musí být vyměněn výrobcem, jeho servisním zástupcem nebo podobně kvalifikovanou osobou, aby se tak předešlo nebezpečí.
- Jsou-li dveře trouby otevřené, nedovolte dětem, aby na ně lezly nebo si na ně sedaly.

Upozornění k instalaci

- Spotřebič nespouštějte dokud nebude zcela nainstalovaný.
- Spotřebič musí nainstalovat a uvést do provozu autorizovaný technik. Výrobce nezodpovídá za jakékoli škody, které mohou být způsobeny vadným umístěním a instalací provedenou neautorizovanými osobami.
- Když spotřebič rozbalíte, zkontrolujte, zda se během přepravy nepoškodil. V případě jakéhokoli defektu; spotřebič nepoužívejte a okamžitě kontaktujte zástupce kvalifikovaného servisu. Vzhledem k tomu, že materiály použité k balení (nylon, spony, polystyrén, atd.) mohou mít na děti nežádoucí účinky, je třeba je okamžitě shromáždit a odstranit.
- Svůj spotřebič chraňte před atmosférickými vlivy. Nevystavujte ho slunci, dešti, sněhu, atd.
- Materiály obklopující spotřebič (skříň) musí dokázat vydržet teplotu minimálně 100°C.

Během použití

- Při prvním spuštění se může objevit určitý zápach, způsobený izolačními materiály a topnými prvky. Proto, než troubu použijete, nechte ji 45 minut spuštěnou na maximální teplotu. Ve stejný okamžik musíte prostředí, v kterém je spotřebič umístěný, správně vyvětrat.
- Během použití se mohou vnější a vnitřní povrchy zahřát. Během otevírání dveří trouby ustupte o krok zpět, abyste se tak vyhnuli horké páře vycházející z trouby. Mohlo by dojít k popálení.
- Je-li spotřebič spuštěný, nedávejte na něj nebo do jeho blízkosti hořlavé materiály.
- K vyjmutí a vložení jídla do trouby vždy používejte chňapky.
- Během vaření s tekutými nebo pevnými tuky spotřebič neopouštějte. V důsledku extrémního zahřátí se mnohou vznítit. Na plameny způsobené olejem nikdy nelijte vodu. Abyste udusili plamen, který zapříčinil olej, zakryjte pánev pokličkou a vypněte vařič.
- Nebudete-li spotřebič delší dobu používat, odpojte ho. Hlavní spínač vypněte. Když spotřebič nepoužíváte, vypněte i přívod plynu.

- Když se spotřebič nepoužívá, vždy zkontrolujte, zda jsou ovládací tlačítka nastavená do pozice "0" (stop).
 - Lišty se při vysunutí nakloní. Dejte pozor, abyste nerozlili horkou kapalinu.
 - V případě, že jsou dveře trouby otevřené, nic na ně nepokládejte. Mohli byste narušit rovnováhu spotřebiče nebo rozbít kryt.
 - Do zásuvky nedávejte hořlavé věci (nylon, platové sáčky, papír, látky, atd.). To zahrnuje nádoby s plastovým příslušenstvím (tj. úchyty).
 - Na rukojeti spotřebiče nezavěšujte utěrky nebo jiné látky.
 - Čištění a údržba
 - Před čištěním nebo údržbou vždy spotřebič vypněte. Můžete spotřebič odpojit ze sítě nebo vypnout hlavní vypínač.
 - Při čištění ovládacího panelu nesnímejte ovladače.
- ABYSTE ZACHOVALI EFEKTIVITU A BEZPEČNOST VAŠEHO SPOTŘEBIČE, DOPORUČUJEME, ABYSTE VŽDY POUŽILI ORIGINÁLNÍ NÁHRADNÍ ČÁSTI A V PŘÍPADĚ POTŘEBY KONTAKTOVALI POUZE NAŠE AUTORIZOVANÉ SERVIY.**

PŘÍPRAVA NA INSTALACI A POUŽITÍ

Tato moderní, funkční a praktická trou-

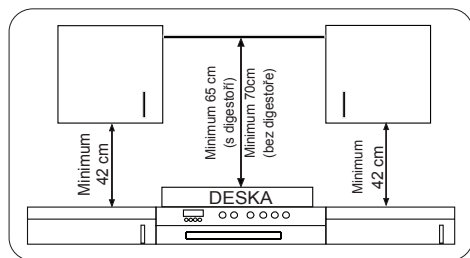
ba vyrobená z nejkvalitnějších částí a materiálů splní vaše potřeby, a to ve všech ohledech. Abyste dosáhli požadovaných výsledků a v budoucnosti nedošlo k žádným problémům, přečtěte si návod. Níže uvedené informace obsahují pravidla, která jsou nebytné pro správné umístění a obsluhu spotřebiče. Je třeba, aby si je přečetl zejména technik, který bude spotřebič instalovat.

PRO INSTALACI TROUBY KONTAKTUJTE AUTORIZOVANÝ SERVIS!

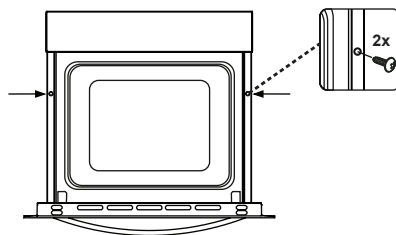
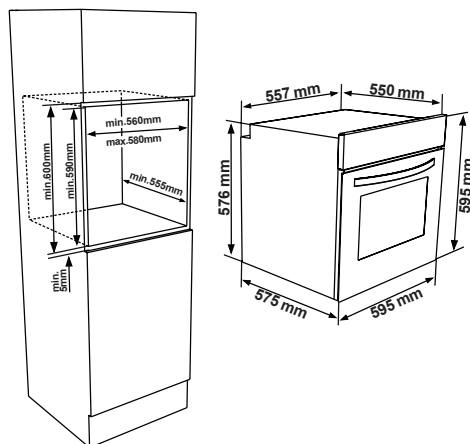
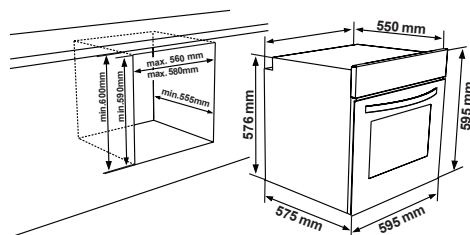
VÝBĚR MÍSTA PRO TROUBU

- Při výběru trouby existuje několik věcí, kterým je třeba věnovat pozornost. V úvahu vezměte naše doporučení a předejděte tak jakýmkoli problémům nebo nebezpečným situacím, ke kterým by mohlo dojít později!
- Při výběru místa pro troubu je třeba věnovat pozornost tomu, zda se v blízkosti nenachází žádné hořlavé materiály, např. závěsy, olej, látky, atd., které se rychle vznítí.
- Nábytek obklopující troubu musí být vyrobený z materiálů odolných teplotám nad 50 °C.

Provedte nutné změny na okolních skříňkách, stejně tak dodržte minimální výšku od plotny, jak je znázorněno na Obr. 1. Odsávací ventilátor musí mít minimální výšku 65 cm od plotny. V případě, že nemáte žádný odsávací ventilátor, výška nesmí být nižší než 70 cm.



INSTALACE VESTAVĚNÉ TROUBY



Troubu zasuňte do skříně. Otevřete dveře trouby a do otvorů v rámu trouby zasuňte 2 šrouby. Zatímco se rám produktu dotýká dřevěného povrchu skříně, šrouby utáhněte.



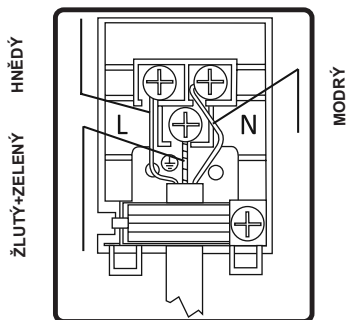
Je-li trouba nainstalovaná pod plotnou, vzdálenost mezi pracovní plochou a horním panelem trouby musí být minimálně 50 mm a vzdálenost mezi pracovní plochou a horní částí ovládacího panelu musí být minimálně 25 mm.

ELEKTROINSTALACE A BEZPEČNOST VESTAVĚNÉ TROUBY

Před provedením elektroinstalace je třeba dodržet níže uvedené pokyny:

- Uzemňovací kabel musí být zapojen pomocí šroubu se znaméním uzemnění. Zapojení napájecího kabelu musí být provedeno jak je znázorněno na Obr. 6. Pokud v prostředí instalace není provedeno uzemnění odpovídající směrnici, okamžitě kontaktujte autorizovaný servis.
- Uzemněná zástrčka se musí nacházet v blízkosti spotřebiče. Nikdy nepoužívejte prodlužovací kabel.

- Napájecí kabel nesmí být v kontaktu s horkým povrchem produktu.
- V případě poškození napájecího kabelu kontaktujte autorizovaný servis. Kabel musí vyměnit autorizovaný servis.
- Zapojení spotřebič musí provést autorizovaný servis. Je třeba použít typ napájecího kabelu H05VV-F.
- Vadná elektroinstalace může spotřebič poškodit. Na takové poškození se nebude vztahovat záruka.
- Spotřebič je navržený k zapojení v okruhu 220-240V~, v případě jiných hodnot okamžitě kontaktujte autorizovaný servis.
- **Výrobce prohlašuje, že nenese žádnou zodpovědnost za škodu a ztrátu jakékoli povahy vyplývající z nedodržení bezpečnostních norem!**
- Zapojení spotřebič musí provést autorizovaný servis. Spotřebič je navržený
- k zapojení do sítě 220-240V~. Má-li elektřina ze sítě jinou než uvedenou hodnotu, okamžitě kontaktujte autorizovaný servis. Spotřebič je navržený k použití s fixním zapojením zástrčky do napájení. Je nezbytné, abyste mezi produkt a přívod napájení (sít') nainstalovali dvoupólový spínač tak, aby mezi kontakty byla minimální mezera 3 mm. (20A, typ s funkcí prodlevy).



3.4. VŠEOBECNÁ VAROVÁNÍ A BEZPEČNOSTNÍ OPATŘENÍ

Váš spotřebič je vyrobený v souladu s relevantními bezpečnostními pokyny, které se týkají elektrických spotřebičů. Údržba a opravy musí provést pouze technici autorizovaného servisu vyškolení výrobcem. Instalace a opravy provedené bez dodržení pravidel mohou být nebezpečné.

Vnější povrch se během provozu spotřebiče zahřeje. Prvky, vyhřívající vnitřní povrch trouby a výstup páry, jsou extrémně horké. Tyto části budou udržovat teplo i chvíli poté, co spotřebič vypnete. Horkých povrchů se nikdy nedotýkejte. Udržujte děti mimo dosah.

Abyste mohli ve své troubě, je třeba naprogramovat funkci trouby a nastavení teplotě, stejně tak i časovač v troubě. V opačném případě nebude trouba fungovat.

Jsou-li dveře trouby otevřené, nic na ně nepokládejte. Můžete narušit rovnováhu spotřebiče nebo dveře rozlomit.

Pokud spotřebič nepoužíváte, odpojte ho.

Spotřebič chraňte před atmosférickými

vliv. Nenechávejte ho vystavený působení slunce, deště, sněhu, prachu, atd.

Použití ovládacího tlačítka funkce trouby

Funkce trouby

* Funkce vaší trouby se mohou v závislosti na modelu produktu lišit.



Světlo v troubě

Zapne světlo v troubě, které zůstane rozsvícené po celou dobu vaření.



Funkce rozmrazování:

Zapne se termostat a rozsvítí se kontrolky trouby, spustí se ventilátor.

Chcete-li použít funkci rozmrazování, dejte zmražené jídlo do trouby na třetí policičku odspodu. Doporučuje se, abyste pod rozmrazované jídlo dali plech, do kterého zachytíte vodu vzniklou v důsledku rozmrazování. Tato funkce vaše jídlo neuvaří ani neupeče, pouze pomůže s jeho rozmrazením.



Funkce Turbo

Zapne se termostat trouby a rozsvítí se výstražné kontrolky trouby, spustí se kruhový topný prvek a ventilátor.

Díky této funkci se teplo v troubě rozptýlí rovnoměrně. Potraviny na všech roštích se uvaří rovnoměrně. Doporučujeme, abyste troubu předehtřivali zhruba 10 minut.



Statická funkce vaření:

Zapne se termostat a výstražné kont-

rolky trouby, spustí se spodní a horní topné prvky. Statická funkce vaření vyzařuje teplo a zajišťuje rovnoměrné vaření spodní i horní části jídla. Je ideální pro přípravu pečiva, koláčů, zapečených těstovin, lasagní a pizzy. Při této funkci se doporučuje troubu předehtřivat po dobu 10 minut a vařit pouze na jedné policičce.



Funkce Ventilátor:

Zapne se termostat a rozsvítí se kontrolky trouby, spustí se horní a spodní topné prvky a ventilátor.

Tato funkce je užitečná při pečení pečiva. Vaření provádí spodní a horní prvek v troubě a ventilátor zajišťující proudění vzduchu v troubě, což má na jídlo mírně grilovací účinek. Doporučujeme, abyste troubu předehtřivali zhruba 10 minut.



Funkce Gril:

Zapne se termostat a výstražné kontrolky trouby, spustí se horní gril. Funkce se používá ke grilování a opékání jídla, použijte horní policičky trouby. Drátěnou mřížku lehce potřete olejem, aby se na ni nepřichytilo jídlo - to umístěte doprostřed mřížky. Dolů umístěte plech, který zachytí kapky oleje nebo tuku. Doporučujeme, abyste troubu předehtřivali zhruba 10 minut. Varování: Během grilování musí být dveře trouby zavřené a teplotu trouby je třeba nastavit na 190°C.



Funkce rychlejšího grilování:

Zapne se termostat a výstražné kontrolky trouby, spustí se gril a horní topné prvky. Funkce se používá k rychlejšímu grilování a k pokrytí větší plochy, např. při grilování masa, použijte horní policičky

trouby. Drátěnou mřížku lehce potřete olejem, aby se na ni nepřichytilo jídlo - to umístěte doprostřed mřížky. Dolů umístěte plech, který zachytí kapky oleje nebo tuku. Doporučujeme, abyste troubu předehřívali zhruba 10 minut. Varování: Během grilování musí být dveře trouby zavřené a teplotu trouby je třeba nastavit na 190°C



Funkce Dvojitý gril a ventilátor:

Zapne se termostat a výstražné kontrolky trouby, spustí se gril a horní topné prvky a ventilátor.

Funkce se používá k rychlejšímu opékání potravin a k pokrytí větší plochy povrchu. Aby se zajistilo rovnoměrné vaření, spustí se horní topné prvky, gril a ventilátor.

Použijte horní poličky v troubě. Drátěnou mřížku lehce potřete olejem, aby se na ni nepřichytilo jídlo - to umístěte doprostřed mřížky. Dolů umístěte plech, který zachytí kapky oleje nebo tuku. Doporučujeme, abyste troubu předehřívali zhruba 10 minut.

Varování: Během grilování musí být dveře trouby zavřené a teplotu trouby je třeba nastavit na 190°C.



Funkce Pizza:

Zapne se termostat a rozsvítí se kontrolky trouby, spustí se kruhové a spodní topné prvky a ventilátor.

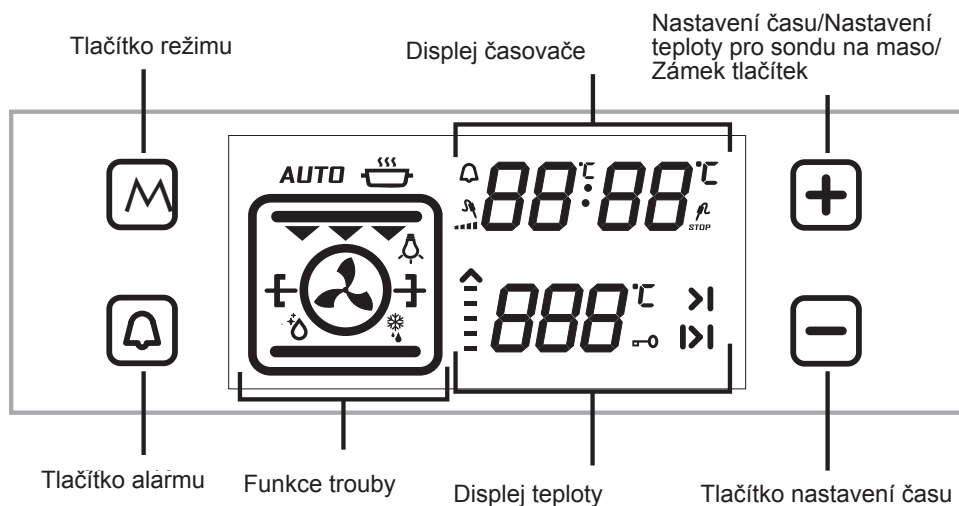
Funkce ohřevu ventilátorem a spodním topným prvkem je ideální k rovnoměrnému pečení potravin za krátkou chvíli, například pizzy. Zatímco ventilátor rovnoměrně distribuuje teplo v troubě, spodní topný prvek zajišťuje upečení těsta.

ÚSPORA ENERGIE

Minimalizujte množství kapaliny nebo tuku a zkraťte tak dobu vaření.

Během vaření by se dveře trouby neměly často otevírat.

4.2. JAK POUŽÍVAT OVLÁDACÍ JEDNOTKU VISIO



Nastavení času:

Po instalaci trouby je nejprve třeba provést nastavení času, které provedete v souladu s níže uvedenými pokyny.

Při první instalaci trouby se na displeji rozbliká "0.00". Pro nastavení času se dotkněte senzoru "M" nebo senzorů "-" a "+". Na displeji se rozbliká symbol "⌚". Nastavení můžete provést pomocí senzorů "-" a "+". Je-li režim automatického vaření vypnutý, stiskněte senzory "-" a "+" najednou a přepněte na režim času. Nastavení můžete provést pomocí "-" a "+".

Abyste mohli troubu používat, musíte provést nastavení času.

NASTAVENÍ ČASU NA SPOTŘEBIČI:

Nastavení minutky:

Stiskněte senzor alarmu a na displeji se zobrazí symbol "⌚". Na displeji se rozbliká "⌚". Na displeji se zobrazí "0.00". Zatímco symbol bliká, nastavte požadované časové období pro upozornění pomocí tlačítek Časovače - plus a minus. Chvilí po dokončení nastavení se rozsvítí symbol "⌚". Když se rozsvítí symbol "⌚", nastavení zvukového varování je hotové. Jakmile je čas nastaven, časovač vydá zvukové varování a na obrazovce se rozbliká symbol "⌚". Zvukové varování zastavíte stisknutím "+" nebo "-" a symbol z obrazovky zmizí.

Nastavení délky času vaření.

Tato funkce se používá k vaření v požadovaném časovém rozsahu. Potraviny, které chcete uvařit, se vloží do trouby. Trouba se nastaví na požadovanou funkci vaření. Teplota trouby se nastaví na požadovanou úroveň, v závislosti na tom, jaké jídlo budete připravovat. Senzor "M" držte dokud se na displeji nezobrazí symbol délky trvání " >| ". Na displeji se zobrazí **"AUTO"**. Zatímco je časovač v této pozici, nastavte dobu vaření připravovaného jídla pomocí tlačítka plus a mínus. Chvilí po dokončení nastavení se na obrazovce zobrazí čas a na obrazovce se rozsvítí symbol Délky trvání.

Po uplynutí nastaveného času časovač troubu vypne a trouba vydá zvukové upozornění. Na displeji začne blikat **"AUTO"**. Zvukové upozornění vypne stisknutí libovolného senzoru na ovládacím panelu. Rozbliká se **"AUTO"**. Současně stisknete symboly "-" a "+" a dokončete režim **"AUTO"**.

Nastavení času ukončení vaření:

Tato funkce se používá k vaření po uplynutí určitého času, v rámci určitého časového období. Potraviny, které chcete uvařit, vložte do trouby. Trouba se nastaví na požadovanou funkci vaření. Teplota trouby se nastaví na požadovanou úroveň, v závislosti na tom, jaké jídlo budete připravovat.

Senzor "M" držte dokud se na displeji nezobrazí symbol délky trvání " >| ". Na displeji se zobrazí **"AUTO"**. Zatímco je časovač v této pozici, dobu vaření připravovaného jídla nastavíte pomocí

tlačítek plus a mínus. Potom stiskněte "M", dokud se nezobrazí symbol " >| ". Zahájí se odpočet času s přidanou dobou vaření. Zatímco je časovač v požadované pozici, nastavte čas dokončení vaření jídla pomocí tlačítek plus a mínus. Chvilí po dokončení nastavení se na obrazovce zobrazí čas a na obrazovce se rozsvítí symbol " >| ". Trouba se spustí v čas vypočítaný odečtením doby vaření od nastaveného času dokončení a vypne se v nastavený čas vaření. Časovač vydá zvukové upozornění a na obrazovce se rozbliká symbol **"AUTO"**. Zvukové upozornění vypne stisknutí libovolného tlačítka časovače. Rozbliká se **"AUTO"**. Současně stisknete symboly "-" a "+" a dokončete režim **"AUTO"**.

Nastavení zvuku digitálního časovače:

Senzor "-" přidržte dokud neuslyšíte zvuk, časovač zapípá. Při každém stisknutí "-" časovač vydá tři různé typy zapípání. Nedotýkejte se žádného dalšího tlačítka a časovač uloží poslední vybraný typ signálu.

Funkce zámku tlačítek

Funkce zámku tlačítek se používá k tomu, aby se předešlo nezáměrnému spuštění jakékoli z funkcí spotřebiče. Přidržte "+" dokud se na displeji nezobrazí symbol klíče, čímž se aktivuje zámek. Zámek deaktivujete stisknutím "+".

Zatímco je trouba spuštěná, nedojde-li k použití ovládacích spínačů a tlačítek po dobu 6 hodin, trouba se vypne.

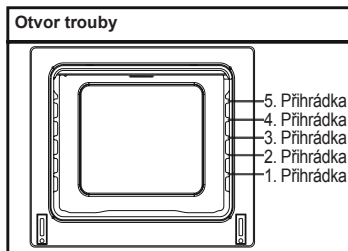
POKRMY	TURBO			HORNÍ-SPODNÍ			SPODNÍ-HORNÍ VENTILÁTOR			GRIL		
	Pozice termostatu (°C)	Pozice roštu	Délka vaření (min.)	Pozice termostatu (°C)	Pozice roštu	Délka vaření (min.)	Pozice termostatu (°C)	Pozice roštu	Délka vaření (min.)	Pozice termostatu (min.)	Pozice roštu	Délka vaření (min.)
Listové těsto	170-190	1-2-3	35-45	170-190	1-2	35-45	170-190	1-2	25-35			
Koláč	150-170	1-2-3	30-40	170 -190	1-2	30-40	150-170	1-2-3	25-35			
Čajové pečivo	150-170	1-2-3	25-35	170-190	1-2	30-40	150-170	1-2-3	25-35			
Masové kuličky										200	4	10-15
Dušené jídlo	175-200	2	40-50	175-200	2	40-50	175-200	2	40-50			
Kuře				200	1-2	45-60	200	1-2	45-60	200	*	50-60
Sekání										200	3-4	15-25
Hovězí steak										200	4	15-25
Koláč na dvou rostech	160-180	1-4	30-40									
Pěchivo na dvou rostech	170-190	1-4	35-45									

* Vařte s grilovací jehlou...

Příslušenství

Produkt se dodává s příslušenstvím. Rovněž můžete použít příslušenství, které koupíte z jiných zdrojů, ale musí být teplu vzdorné. Rovněž můžete použít skleněné nádoby, formy na koláče a plechy, které se hodí k použití v troubě. Při použití jiného příslušenství se řiďte pokyny jiného výrobce. V případě použití malého nádobí vložte nádobí na drátěnou mřížku, tak, aby se nacházelo uprostřed mřížky. Pokud jídlo, které má být uvařeno, nezakrývá celý plech, je-li jídlo vyjmutu z mrazničky nebo je-li použit plech pro sběr šťáv z masa, které stékají během grilování, lze pozorovat změny v plechu. Je tomu tak kvůli vysokým teplotám, které vznikají během vaření. Plech se vrátí do staré formy jakmile vychladne. Jde o běžný fyzický jev, ke kterému dochází během přenosu tepla. Horké skleněné pekáče a nádoby nedávejte do chladného prostoru ihned po vyjmutí z trouby, abyste předešli jejich rozlomení. Nepokládejte na chladné a mokré povrchy. Položte je na suchou utěrku a nechte je pomalu vychladnout. Při použití grilu v troubě doporučujeme (je-li třeba), abyste použili mřížku dodanou s produktem. Při použití drátěné mřížky dejte plech, do kterého se bude zachytávat stékající olej, na jednu ze spodních poliček. Abyste zjednodušili čištění, do pekáče lze přidat vodu. Jak je vysvětleno v odpovídajících částech, nikdy se nepokoušejte používat plynový hořák grilu bez ochranného víka grilu. Má-li vaše trouba plynový grilovací hořák, ale grilovací plech chybí nebo je poškozený,

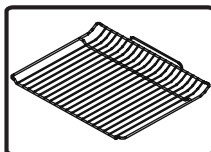
a nelze ho použít, požádejte v nejbližším servisním centru o náhradní díl.



Příslušenství

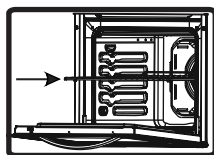
Příslušenství vaší trouby se může lišit s ohledem na model produktu.

Drátěná mřížka



Drátěná mřížka se používá ke grilování nebo k umístění jiného nádobí.

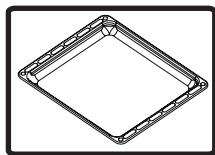
VAROVÁNÍ - Mřížku umístěte správně na libovolné odpovídající místo v prostoru trouby a zasuňte ji do trouby.



Mělký pekáč

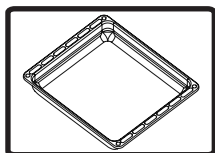
Mělký pekáč se používá k pečení pečiva, např. koláčů, atd. Abyste ho do trouby umístili správně, zasuňte ho do držáků

a zcela dozadu.



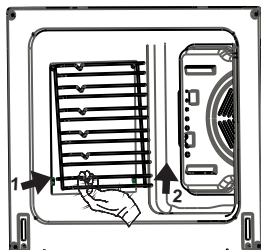
Hluboký plech

Hluboký plech se používá k pečení dušeného masa. Abyste ho do trouby umístili správně, zasuněte ho do držáků a zcela dozadu.



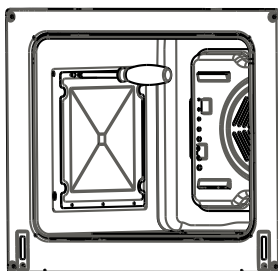
Vyjmutí drátěného roštu

Za drátěný rošt zatáhněte jak je znázorněno na obrázku. Po uvolnění ho zdvihněte.



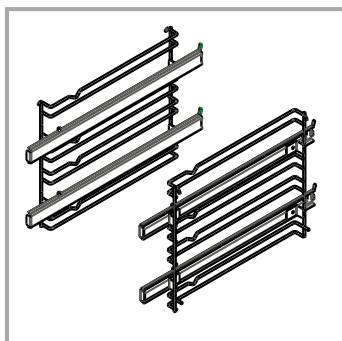
Vyjmutí panelu

Z každého smaltovaného panelu vyjměte šrouby G.



Teleskopické lišty

Z každého smaltovaného panelu vyjměte lišty.



ČIŠTĚNÍ A ÚDRŽBA VAŠÍ TROUBY

ČIŠTĚNÍ

Než s čištěním trouby začnete, ujistěte se, zda je veškeré ovládání vypnuto a zda váš spotřebič vychladl. Odpojte spotřebič.

Nepoužívejte čisticí přípravky obsahující částice, které by mohly smaltované na natřené části vaší trouby poškodit. Použijte krémové nebo tekuté čisticí přípravky, které neobsahují malé částice. Vzhledem k tomu, že by mohly poškodit povrchy, nepoužívejte leptavé krémy, abrazivní čisticí prášky, hrubé drátěnky nebo tvrdé nástroje. V případě rozlití nadbytečné tekutiny může dojít k poškození smaltu. Rozlité kapaliny okamžitě vyčistěte. K čištění spotřebiče nepoužívejte parní čističe.

Čištění vnitřní části trouby

Než začnete chladničku čistit, zkontrolujte, zda je odpojená. Nejlepších výsledků dosáhnete pokud vnitřní část trouby vyčistíte zatímco je trouba lehce teplá. Troubu vytřete měkkým hadříkem navlhčeným běžným čisticím prostředkem a vodou. Potom ji vytřete znovu, tentokrát navlhčeným hadříkem a vysušte. Úplné čištění pomocí suchých a práškových čisticích přípravků. V případě produktu se smaltovými rámy není třeba provádět čištění

zadních a bočních stěn vnitřního rámu. Nicméně, v závislosti na použití se doporučuje, abyste je po určitém čase vyměnili.

ÚDRŽBA

Výměna světla v troubě

Výměnu světla v troubě musí provést autorizovaný technik. Žárovka musí být 230V, 25Watt, Typ E14, T300. Před výměnou žárovky musí být trouba vypnuta a musí být zcela chladná.

Design světla je specifický k použití v domácích spotřebičích a není vhodný k osvětlení domácnosti.

SERVIS A PŘEPRAVA

CO JE TŘEBA UDĚLAT, NEŽ BUDETE KONTAKTOVAT SERVIS

Pokud trouba nefunguje:

Trouba může být odpojená ze sítě, mohlo dojít k výpadku napájení. Na modelech vybavených časovačem nemusí být seřízený čas.

Pokud trouba neheje:

Teplo nesmí být nastavováno pomocí spínače trouby.

Pokud světlo v troubě nesvíí:

Je třeba zkontrolovat elektřinu. Je třeba zkontrolovat, zda nejsou žárovky vadné. Jsou-li vadné, můžete je vyměnit.

Vaření (pokud spodní-horní část nevaří stejně):

Zkontrolujte umístění poličky, délku vaření a hodnoty tepla, podle návodu.

Máte-li i nadále problémy s produktem, kontaktujte "Autorizovaný servis".

INFORMACE SOUVISEJÍCÍ S PŘEPRAVOU

V případě přepravy:

Uchovejte originální obal produktu a použijte ho v případě, že bude třeba zajistit přepravu spotřebiče. Řiďte se pokyny na obalu. Lepicí páskou přilepte vaříč v horní části, přilepte i další příslušenství.

Mezi horní kryt a ovládací panel dejte papír, zakryjte horní kryt potom přilepte páskou k bokům trouby.

Do přední části krytu přilepte kartón nebo papíru, stejně tak na vnitřní část skla a vyjměte drátěnou mřížku a pekáče z trouby, aby nedošlo k jejímu poškození během přepravy. Kryt trouby rovněž přilepte k bočním stěnám.

Pokud nemáte původní obal:

Přijměte opatření, abyste předešli poškození vnějších povrchů trouby (skla a natřených povrchů).

Sehr verehrte/r Kunde/in,

Unser Ziel ist es, Ihnen ein qualitativ hochwertiges Produkt zur Verfügung zu stellen, das Ihre Erwartungen sogar noch übertrifft. Ihr Gerät wurde in modernen Herstellungseinrichtungen produziert und seine Qualität sorgfältig getestet. Dieses Handbuch wurde erstellt, um Sie bei der Verwendung Ihres Haushaltsgeräts zu unterstützen, das mit modernster Technik, Sorgfalt und höchster Qualität hergestellt wurde. Lesen Sie sich vor der Verwendung Ihres Geräts diese Anleitung sorgfältig durch, die wichtige Informationen für eine sichere Aufstellung, Pflege und Verwendung enthält. Bitte setzen Sie sich mit Ihrem nächsten autorisierten Servicezentrum wegen der Aufstellung und dem Anschluss Ihres Geräts in Verbindung.

Inhalt

Vorstellung und Abmessungen des Produkts

Warnhinweise

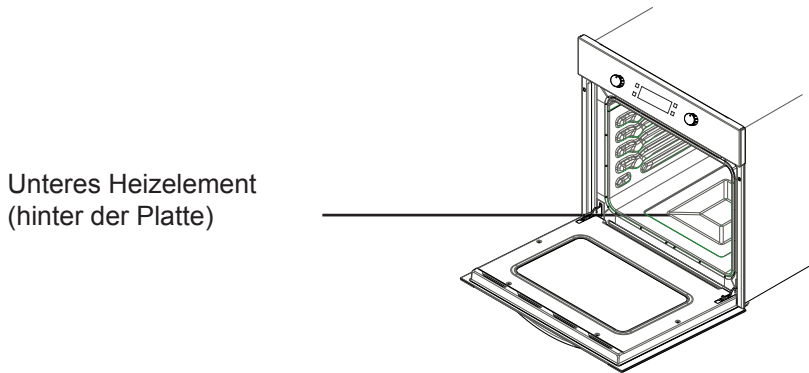
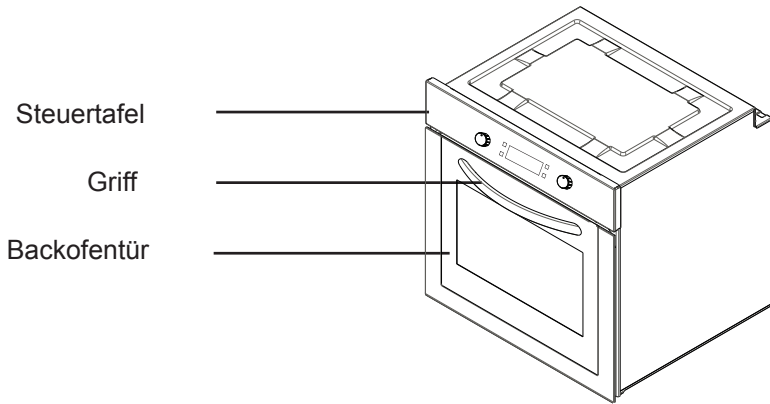
Vorbereitung des Einbaus und der Verwendung

Den Backofen verwenden

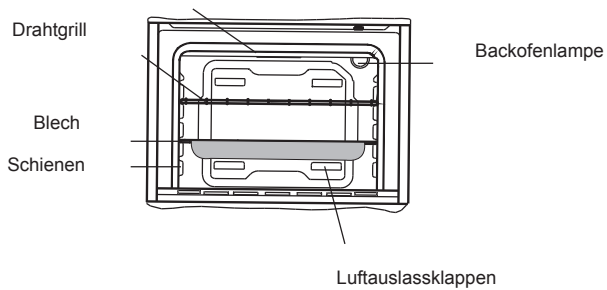
Reinigung und Wartung Ihres Produkts

Reparatur und Transport

VORSTELLUNG UND ABMESSUNGEN DES PRODUKTS



Oberes Heizelement (hinter der Platte)



SICHERHEITSHINWEISE

LESEN SIE SICH DIESE ANLEITUNG VOLLSTÄNDIG UND SORGFÄLTIG VOR DER VERWENDUNG IHRES GERÄTS DURCH UND BEWAHREN SIE SIE FÜR SPÄTER AN EINEM LEICHT ERREICHBAREN ORT AUF.

DIESES HANDBUCH WURDE FÜR MEHR ALS EIN MODELL ERSTELLT. IHR GERÄT MUSS NICHT ALLE DER EIGENSCHAFTEN HABEN, DIE IN DIESEM HANDBUCH BESCHRIEBEN SIND. ACHTEN SIE BEIM LESEN DIESER ANLEITUNG AUF FORMULIERUNGEN MIT FUSSNOTEN.

Allgemeine Sicherheitshinweise

- Das Gerät darf von Kindern ab 8 Jahren und Menschen mit verringerten körperlichen, sensorischen oder mentalen Fähigkeiten oder Fehlen von Erfahrung und Wissen nur dann bedient werden, wenn Sie eine Einweisung oder Anweisungen zur sicheren Handhabung des Geräts erhalten haben und die damit verbundenen Gefahren kennen. Kinder dürfen nicht mit dem Gerät spielen. Die Reinigung und Wartung sollte von Kindern nicht ohne Aufsicht ausgeführt werden.
- **ACHTUNG!** Während des Betriebs wird das Gerät und seine berührbaren Teile heiß. Passen Sie auf, dass Sie nicht die Heizelemente berühren. Kinder unter 8 Jahren sollten ferngehalten werden, es sei denn, sie sind ständig unter Aufsicht.
- **ACHTUNG!** Brandgefahr: Legen Sie keine Gegenstände auf den Kochflächen ab.
- **ACHTUNG!** Wenn die Oberfläche gerissen ist, schalten Sie das Gerät aus, um einen Stromschlag zu vermeiden.
- Das Gerät ist nicht für die Bedienung mit einer externen Zeitschaltuhr oder getrennten Fernbedienung vorgesehen.

- Das Gerät wird während seiner Verwendung heiß. Passen Sie auf, dass Sie nicht die Heizelemente im Inneren des Backofens berühren.
- Die Griffe werden bei normaler Verwendung ebenfalls heiß.
- Verwenden Sie keine Scheuermittel oder scharfe Metallschaber, um die Glastür des Backofens und andere Oberflächen zu reinigen, da diese die Oberfläche zerkratzen, was zum Splintern des Glases oder Schäden an der Oberfläche führen kann.
- Verwenden Sie zur Reinigung des Geräts keinen Dampfreiniger.
- **ACHTUNG!** Achten Sie darauf, dass das Gerät, bevor Sie die Lampe austauschen, ausgeschaltet ist, um einen Stromschlag zu vermeiden.
- **VORSICHT:** Berührbare Teile können beim Braten oder Grillen sehr heiß sein. Kleine Kinder müssen immer ferngehalten werden.
- Ihr Gerät wurde nach allen geltenden nationalen und internationalen Normen und Vorschriften hergestellt.
- Wartungs- und Reparaturarbeiten dürfen nur von autorisierten Servicetechnikern durchgeführt werden. Wartungs- und Installationsarbeiten, die nicht von autorisierten Technikern durchgeführt wurden, können Sie in Gefahr bringen. Es ist gefährlich, die Spezifikationen des Geräts in jeglicher Weise zu verändern oder abzuändern.
- Vor dem Einbau müssen Sie die örtlichen Energieversorgungsbedingungen prüfen (Art des Gases, Gasdruck oder elektrische Spannung und Frequenz) und dass die Voraussetzungen mit dem Gerät kompatibel sind. Die Voraussetzungen für dieses Gerät sind auf dem Etikett genannt.
- **VORSICHT:** Dieses Gerät ist nur für das Kochen von Speisen in einem privaten Haushalt vorgesehen und darf nicht zu einem anderen Zweck oder einer anderen Verwendung, wie gewerblicher oder beruflicher Verwendung oder Raumheizung, verwendet werden.
- Versuchen Sie niemals, das Gerät zu heben oder zu bewegen, indem Sie am Türgriff ziehen.
- Es wurden alle möglichen

Sicherheitsmaßnahme ergriffen, um Ihre Sicherheit zu garantieren. Da das Glas brechen kann, sollten Sie beim Reinigen vorsichtig sein, um Kratzer zu vermeiden. Vermeiden Sie, das Zubehör gegen das Glas schlägt oder anstößt.

- Achten Sie beim Einbau darauf, dass die Stromzuleitung nicht eingequetscht wird. Ein beschädigtes Netzkabel muss vom Hersteller, einem Kundendienst oder ähnlich qualifiziertem Fachpersonal ausgetauscht werden.
- Lassen Sie Kinder nicht auf die geöffnete Backofentür klettern oder darauf sitzen.

Einbauhinweise

- Benutzen Sie den Backofen erst, wenn er vollständig angeschlossen ist.
- Das Gerät muss von einem autorisierten Techniker angeschlossen und in Betrieb genommen werden. Der Hersteller ist nicht für Schäden haftbar, die durch eine falsche Aufstellung oder einen falschen Anschluss durch nicht autorisierte Personen entstehen.
- Wenn Sie das Gerät auspacken, achten Sie bitte auf mögliche Transportschäden. Wenn ein Schaden vorliegt, dürfen Sie das Gerät nicht verwenden und Sie müssen sich mit dem autorisierten Kundendienst in Verbindung setzen. Die zur Verpackung verwendeten Materialien (Nylon, Heftklammern, Styropor, usw.) stellen eine Gefahr für Kinder dar und sollten daher sofort eingesammelt und entfernt werden.
- Schützen Sie Ihr Gerät vor Umwelteinflüssen. Setzen Sie es nicht Einflüssen wie Sonne, Re-

gen, Schnee, usw. aus.

- Die das Gerät umgebenden Materialien (z.B. Schränke) müssen einer Temperatur von min. 100°C widerstehen können.

Während der Verwendung

- Wenn Sie Ihren Backofen das ersten Mal verwenden, können bestimmte Gerüche des Isoliermaterials und der Heizelemente auftreten. Aus diesem Grund sollten Sie den Backofen vor der Verwendung im leeren Zustand bei Höchsttemperatur für 45 Minuten laufen lassen. Gleichzeitig müssen Sie für eine ausreichende Entlüftung des Raumes sorgen, in dem das Produkt aufgestellt ist.
- Die inneren und äußeren Oberflächen werden während der Verwendung heiß. Wenn Sie die Backofentür öffnen, treten Sie einen Schritt zurück, damit Sie nicht vom Dampf, der aus dem Ofen austritt, getroffen werden. Es besteht Verbrennungsgefahr.
- Stellen Sie keine brennbaren oder entflammenden Stoffe in oder neben das Gerät, wenn es in Betrieb ist.
- Verwenden Sie stets Ofenhandschuhe, wenn Sie Speisen in den Backofen stellen oder herausnehmen.
- Lassen Sie den Backofen nicht unbeaufsichtigt, wenn Sie mit festen oder flüssigen Ölen kochen. Diese können bei extremer Erhitzung Feuer fangen. Schütten Sie niemals Wasser in brennendes Öl. Decken Sie den Kochtopf oder die Pfanne mit einem Deckel ab, um etwaige Flammen in diesem Fall zu ersticken und schalten den Backofen aus.
- Wenn Sie den Backofen für

längere Zeit nicht benutzen, trennen Sie ihn vom Netz. Der Hauptschalter sollte dabei ausgeschaltet sein. Wenn Sie das Gerät nicht verwenden, drehen Sie das Gasventil zu.

- Achten Sie darauf, dass die Bedienknöpfe des Backofens immer auf "0" (Aus) stehen, wenn sie nicht benutzt werden.
- Die Bleche neigen sich, wenn sie herausgezogen werden. Seien Sie vorsichtig und lassen keine heiße Flüssigkeit überlaufen.
- Stellen Sie nichts auf die geöffnete Tür oder Schublade des Backofens. Sie können Ihr Gerät aus dem Gleichgewicht bringen oder den Deckel abbrechen.
- Stellen Sie keine schweren Gegenstände oder entflammbare oder entzündliche Waren (Nylon, Plastiktüten, Papier, Stoff) in die Schublade. Dies gilt auch für Kochgeschirr mit Kunststoffzubehör (z. B. Griffe).
- Hängen Sie keine Handtücher, Küchentücher oder Kleidung an das Gerät oder seine Griffe.
- Während der Reinigung und Wartung.
- Sie müssen das Gerät bevor Sie Reinigungs- oder Wartungsarbeiten durchführen ausschalten. Sie können dies durch das Ausstecken des Geräts oder Ausschalten des Netzschalters tun.
- Wenn Sie das Bedienfeld reinigen, bitte die Bedienknöpfe nicht entfernen.
- **WIR EMPFEHLEN, DASS SIE STETS ORIGINALERSATZTEILE FÜR DEN FALL EINER REPARATUR VERWENDEN UND NUR IHREN AUTORISIERTEN KUNDENDIENST ANRUFEN, UM DIE EFFIZIENZ UND SICHERHEIT**

IT IHRES HAUSHALTSGERÄTS AUFRECHT ZU ERHALTEN.

VORBEREITUNG DES EINBAUS UND DER VERWENDUNG

Dieser moderne, funktionale und praktische Backofen wurde aus den hochwertigsten Bestandteilen und Materialien hergestellt und wird Ihre Wünsche in jeder Hinsicht erfüllen. Sie sollten sich dieses Handbuch durchlesen, um erfolgreiche Ergebnisse zu erhalten und in Zukunft keine Probleme zu erleben. Die nachfolgenden Informationen enthalten Regeln, die für die richtige Aufstellung und Reparaturarbeiten wichtig sind. Sie sollten insbesondere von dem Techniker, der das Gerät aufstellt, sorgfältig gelesen werden.

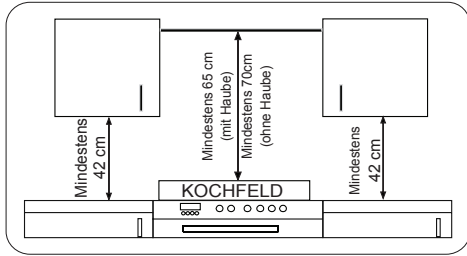
SETZEN SIE SICH MIT IHREM AUTORISIERTEN KUNDENDIENST ZUR AUFSTELLUNG IHRES BACKOFENS IN VERBINDUNG!

EINEN PLATZ FÜR DEN BACKOFEN AUSWÄHLEN

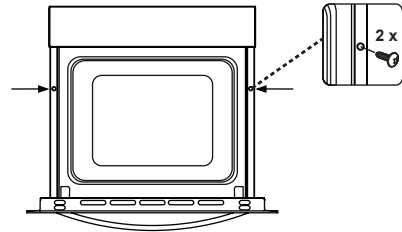
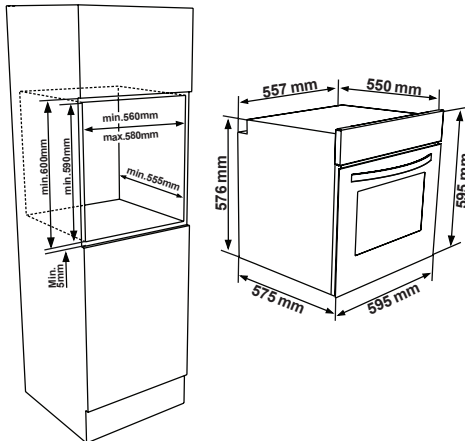
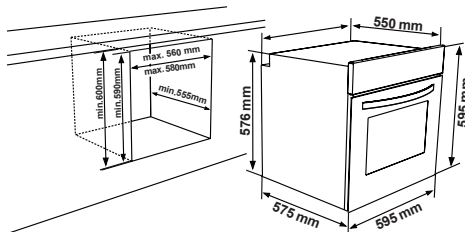
- Für die Aufstellung Ihres Backofens sind einige Punkte zu beachten. Sie müssen unsere nachfolgenden Empfehlungen beachten, um Probleme und gefährliche Situationen, die als Folge auftreten könnten, zu vermeiden.
- Wenn Sie einen Platz für Ihren Backofen auswählen, müssen Sie darauf achten, dass sich keine brenn- oder entflammbaren Materialien, wie Vorhänge, Öl, Stoffe, usw., die leicht Feuer fangen können, in unmittelbarer Nähe des Backofens befinden.
- Die den Backofen umgebenden Möbel müssen aus einem Material sein, das einer Hitzeentwicklung von mehr als 50 C° über der Raumtemperatur standhält.

An Wandschränken und Dunstabzugshauben über dem eingebauten

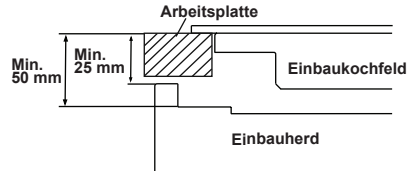
Kombinationsprodukt erforderliche Änderungen sowie die Maximalhöhen über der Herdplatte sind in Abbildung 1 enthalten. Dementsprechend muss sich die Dunstabzugshaube in einer Mindesthöhe von 65 cm über der Herdplatte befinden. Wenn kein Abluftventilator vorhanden ist, muss die Höhe nicht weniger als 70 cm betragen.



INSTALLATION DES BACKOFENS



Schieben Sie den Backofen vorwärts in den Schrank. Öffnen Sie die Backofentür und setzen die beiden Schrauben in die Löcher im Rahmen des Ofens. Wenn der Rahmen des Backofens die Holzoberfläche des Schrankes berührt, ziehen Sie die Schrauben fest.



Wenn der Backofen unter einem Kochfeld eingebaut wird, dann muss der Abstand zwischen der Arbeitsplatte und der oberen Platte des Backofens mindestens 50 mm und der Abstand zwischen der Arbeitsplatte und der oberen Kante der Steuertafel mindestens 25 mm betragen.

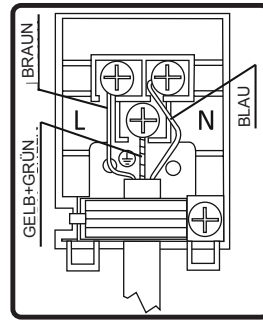
STROMANSCHLUSS UND SICHERHEIT DES EINBAUHERDS

Während des Stromanschlusses müssen die nachfolgenden Anweisungen unbedingt befolgt werden

- Das Erdungskabel muss mit der Schraube mit der Erde-Markierung verbunden werden. Das Stromkabel muss wie in Abbildung 6 gezeigt angeschlossen werden. Wenn es in der Aufstellungsumgebung keine geerdete Steckdose gibt, rufen Sie sofort den autorisierten Kundendienst an.
- Die geerdete Steckdose muss sich

in unmittelbarer Nähe des Backofens befinden. Verwenden Sie niemals ein Verlängerungskabel.

- Das Stromversorgungskabel darf nicht die heißen Oberfläche des Produkts berühren.
- Im Fall eines beschädigten Stromversorgungskabels müssen Sie den autorisierten Kundendienst anrufen. Das Kabel muss vom autorisierten Kundendienst ausgetauscht werden.
- Der Anschluss des Geräts muss vom autorisierten Kundendienst vorgenommen werden. Es muss ein H05VV-F Kabel verwendet werden.
- Eine fehlerhafte Verdrahtung kann zu Schäden am Backofen führen. Ein derartiger Schaden ist nicht von der Garantie gedeckt.
- Das Gerät ist dafür konstruiert, um mit einer Spannung von 220-240V~ betrieben zu werden. Wenn die Spannung von dem vorgenannten Wert abweicht, setzen Sie sich sofort mit dem autorisierten Kundendienst in Verbindung.
- **Die Herstellerfirma übernimmt keinerlei Verantwortung für Schäden und Verluste jeglicher Art, die aus der Nichtbeachtung von Sicherheitsnormen herrühren!**
- Der Anschluss des Geräts muss vom autorisierten Kundendienst vorgenommen werden. Die Apparatur ist zum Anschluss
- An eine elektrische Spannung von 220-240V~ entwickelt. Wenn das Stromnetz eine andere Spannung als angegeben ausgibt, rufen Sie bitte direkt den autorisierten Kundendienst an. Das Gerät ist für die Verwendung mit Stecker oder fester Verbindung zum Stromnetz ausgelegt. Ein zweipoliger Umschalter zwischen Gerät und Stromversorgung (Netz) mit einem Abstand von 3 mm zwischen den Schaltkontakten ist notwendig. (Wert von 20A, Typ mit Verzögerungsfunktion)



3.4. ALLGEMEINE WARNUNGEN UND SICHERHEITSVORKEHRUNGEN

Ihr Gerät ist in Übereinstimmung mit den einschlägigen Sicherheitsvorschriften in Bezug auf Elektrogeräte produziert. Wartungs- und Reparaturarbeiten dürfen nur durch vom Hersteller geschulte autorisierte Servicetechniker durchgeführt werden. Installations- und Reparaturarbeiten, die ohne Einhaltung der Regeln durchgeführt werden, können gefährlich sein.

Während das Gerät in Betrieb ist, erhitzen sich die Außenflächen. Die Heizelemente zum Erhitzen der inneren Backofenfläche und der Dampfausgang werden extrem heiß. Diese Elemente sind auch nach dem Ausschalten des Geräts noch für eine gewisse Zeit sehr heiß. Berühren Sie niemals die heißen Oberflächen. Halten Sie Kinder fern.

Um den Backofen zu benutzen, müssen die Schalter für Ofenfunktion und Temperatureinstellungen eingestellt sowie der Ofentimer programmiert werden. Ansonsten funktioniert der Backofen nicht.

Platzieren Sie nichts auf der geöffneten Herdtür. Sie könnten die Balance des

Geräts beeinträchtigen oder die Tür beschädigen.

Ziehen Sie den Gerätestecker, wenn das Gerät nicht benutzt wird.

Schützen Sie Ihr Gerät vor Umwelteinflüssen. Setzen Sie es nicht Sonne, Regen, Schnee, Staub, usw. aus.

Benutzung der Steuertaste für Ofenfunktionen

Backofenfunktionen

* Die Funktionen Ihres Backofens können je nach Modell Ihres Produkts unterschiedlich sein.



Backofenlampe:

Nur die Backofenlampe wird eingeschaltet und bleibt bei allen Backfunktionen an.



Funktion zum Auftauen:

Die Warnlichter des Backofens werden eingeschaltet, der Lüfter beginnt zu arbeiten.

Zur Nutzung der Auftaufunktion platzieren Sie Ihr gefrorenes Essen im Backofen auf die dritte Schiene von unten. Es wird empfohlen unter die aufzutauenden Nahrungsmittel ein Ofenblech zum auffangen des Schmelzwassers zu platzieren. Diese Funktion wird Ihre Nahrung nicht kochen oder backen, sondern nur beim auftauen helfen.



Turbofunktion

Der Thermostat und die Warnlampe des Backofens schaltet sich ein, das Grillheizelement heizt sich auf und der Lüfter beginnt zu arbeiten.

Die Turbofunktion wird die Hitze gleichmäßig im Ofen verteilen. Die Nahrung auf allen Schienen wird gleichmäßig gebacken. Es wird empfohlen, den Backofen für 10 Minuten vorzuheizen.



Ober- und Unterhitze Funktion:

Der Thermostat und die Warnlampe des Backofens schaltet sich ein, das untere und obere Heizelement heizen sich auf. Die Ober-/Unterhitze-Funktion gibt Wärme ab, um Speisen auf den oberen und unteren Blechen gleichzeitig zu kochen. Dies ist ideal für Gebäck, Kuchen, Nudelaufauf, Lasagne und Pizza. Es wird empfohlen, den Backofen für 10 Minuten vorzuheizen und es ist am Besten, bei dieser Funktion nur auf einer Schiene zu backen.



Umluftfunktion:

Der Thermostat und die Warnlampe des Backofens schaltet sich ein, das obere und untere Heizelement heizen sich auf und der Lüfter schaltet sich ein.

Diese Funktion erzielt gute Ergebnisse beim Backen von Gebäck. Das Backen wird durch das obere und untere Heizelement erledigt und die vom Lüfter erzeugte Luftzirkulation sorgt für einen leichten Grilleffekt auf dem Essen. Es wird empfohlen, den Backofen für 10 Minuten vorzuheizen.



Grillfunktion:

Der Thermostat und die Warnlampe des Backofens schaltet sich ein, das Grillheizelement heizt sich auf. Diese Funktion wird zum Grillen und Toasten

von Speisen verwendet. Verwenden Sie die oberen Bleche des Backofens. Bürsten sie das Drahtgitter leicht mit Öl ein, um ein Anhaften der Speisen zu verhindern und stellen Sie die Speisen in die Mitte des Gitters. Stellen Sie immer ein Blech darunter, um tropfendes Öl oder Fett aufzufangen. Es wird empfohlen, den Backofen für 10 Minuten vorzuheizen. Warnung: Beim Grillen muss die Backofentür geschlossen und die Backofentemperatur auf °C eingestellt sein.



Schnellgrillfunktion:

Der Thermostat und die Warnlampe des Backofens schaltet sich ein, das obere Heizelement und das Grillelement heizen sich auf. Diese Funktion wird für ein schnelleres Grillen und für die Abdeckung einer größeren Oberfläche, wie das Grillen von Fleisch auf den oberen Regalen des Backofens verwendet. Bürsten sie das Drahtgitter leicht mit Öl ein, um ein Anhaften der Speisen zu verhindern und stellen Sie die Speisen in die Mitte des Gitters. Stellen Sie immer ein Blech darunter, um tropfendes Öl oder Fett aufzufangen. Es wird empfohlen, den Backofen für 10 Minuten vorzuheizen. Warnung: Beim Grillen muss die Backofentür geschlossen und die Backofentemperatur auf 190 °C eingestellt sein.



Doppelgrill-Umluftfunktion:

Der Thermostat und die Warnlampe des Backofens schaltet sich ein, das obere Heizelement und das Grillelement heizen sich auf und der Lüfter schaltet sich ein.

Diese Funktion wird für das Grillen dichtet Speisen verwendet und zur Abdeckung einer größeren Oberfläche. Sowohl die oberen Heiz- und Grillelemente werden zusammen mit dem Lüfter verwendet, um ein gleichmäßiges Backergebnis zu ermöglichen.

Nutzen Sie die oberen Schienen des Backofens. Bürsten sie das Drahtgitter leicht mit Öl ein, um ein Anhaften der Speisen zu verhindern und stellen Sie die Speisen in die Mitte des Gitters. Stellen Sie immer ein Blech darunter, um tropfendes Öl oder Fett aufzufangen. Es wird empfohlen, den Backofen für 10 Minuten vorzuheizen.

Warnung: Beim Grillen muss die Backofentür geschlossen und die Backofentemperatur auf 0C eingestellt sein.



Pizzafunktion:

Der Thermostat und die Warnlampe des Backofens schaltet sich ein, das obere Heizelement und das Grillelement heizen sich auf und der Lüfter schaltet sich ein.

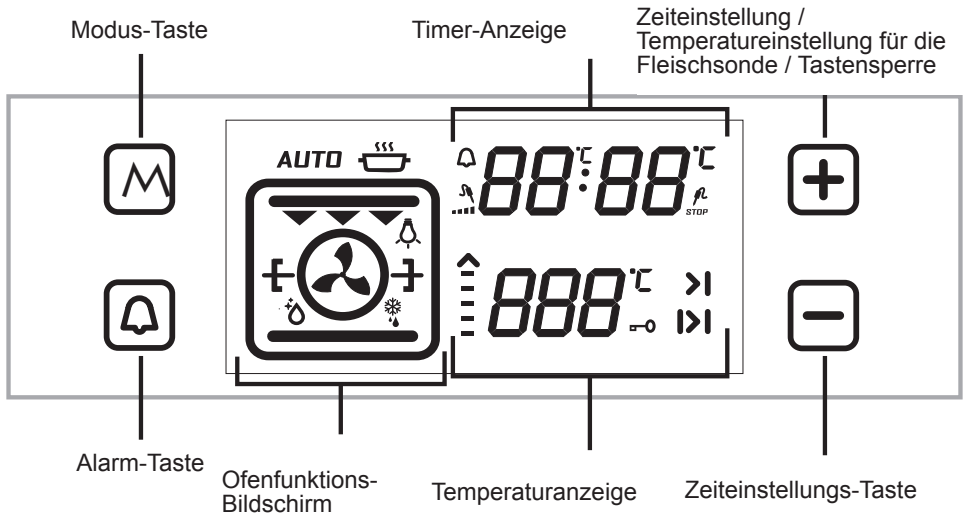
Der Lüfter zusammen mit dem unteren Heizelement ist ideal zum Backen von Essen, wie z.B. Pizza, in kurzer Zeit. Während der Lüfter die Hitze gleichmäßig verteilt, sorgt das untere Heizelement für das Backen der Teigeinlage.

ENERGIESPAREN

Minimieren Sie die Menge von Flüssigkeit oder Fett, um Backzeiten zu verringern.

Die Backofentür sollte während des Backens nicht geöffnet werden.

4.2. NUTZUNG DER VISIO TOUCH STEUERUNG



Einstellung der Uhrzeit:

Bei der Inbetriebnahme muss zuerst die Uhrzeit anhand der folgenden Instruktionen eingestellt werden.

Bei der ersten Inbetriebnahme blinkt "0.00" auf dem Display. Berühren Sie die „M“ Taste oder benutzen Sie die „-“ und „+“ Tasten zum Einstellen der Uhrzeit. „:“ das Zeichen beginnt auf dem Bildschirm zu blinken. Sie können mit den „-“ und „+“ Sensoren Einstellungen vornehmen. Wenn der Autokoch-Modus deaktiviert ist, drücken Sie die „-“ und „+“ Sensoren gleichzeitig für den Tageszeit-Modus. Sie können ihn mit den „-“ und „+“ Sensoren konfigurieren.

Zur Nutzung der Ofenfunktion müssen Sie den Tageszeit-Modus anpassen.

EINSTELLUNG DES OFENTIMERS:

Einstellung des Minutentimers:

Berühren Sie den Alarmsensor, das “ ” Symbol wird angezeigt. “ ” blinkt auf dem Bildschirm. “0.00” wird anstatt der Uhrzeit angezeigt. Stellen Sie während das Symbol blinkt die gewünschte Zeitperiode mittels der Plus- und Minussensoren ein. Eine Zeit nach der Einstellung wird das Symbol kontinuierlich leuchten. Nachdem das Symbol durchgehend leuchtet, ist die Einstellung der Alarmfunktion abgeschlossen. Nach Ablauf des Timers gibt es einen hörbaren Signalton und das Symbol beginnt auf dem Bildschirm zu blinken. Durch Drücken von „-“ oder „+“ wird der Signalton gestoppt und das Symbol verschwindet vom Bildschirm.

Einstellung des Backzeit-Timers:

Diese Funktion dient der Einstellung einer gewünschten Backdauer. Die zuzubereitende Nahrung wird in den Ofen gegeben. Der Ofen wird auf das gewünschte Kochprogramm eingestellt. Abhängig vom Essen, das zubereitet werden soll, wird die Ofentemperatur auf die gewünschte Gradzahl eingestellt. Berühren Sie den "M" Sensor, bis Sie das Zeitraumdauer-Symbol „|>|“ auf dem Timer-Bildschirm sehen. **"AUTO"** erscheint auf dem Bildschirm. Während der Timer sich in dieser Position befindet, benutzen Sie die Plus- und Minus-Sensoren zur Einstellung der für das zu backende Essen gewünschten Backzeit. Eine Zeit nachdem die Konfiguration abgeschlossen ist, erscheint die Tageszeit wieder auf dem Bildschirm und das Zeitraum-Symbol wird fortwährend auf dem Bildschirm zu sehen sein.

Nach Ablauf der eingestellten Zeit, stoppt der Timer den Ofen und gibt eine hörbare Warnung aus. Auch wird **"AUTO"** auf dem Bildschirm zu blinken beginnen. Die Berührung eines beliebigen Sensors auf dem Kontrollfeld wird den hörbaren Warnton beenden. **"AUTO"** wird weiterhin blinken. Berühren Sie die „-“ und „+“ Symbole gleichzeitig zum Beenden des Modus **"AUTO"**.

Anpassung der Back-Endzeit:

Diese Funktion wird zum Backen nach einer bestimmten Zeit, innerhalb eines bestimmten Zeitraums benutzt. Die zuzubereitende Nahrung wird in den Ofen gegeben. Der Ofen wird auf das gewünschte Kochprogramm eingestellt. Abhängig vom Essen, das zubereitet werden soll, wird die Ofentemperatur auf die gewünschte Gradzahl eingestellt.

Berühren Sie den "M" Sensor, bis Sie das Zeitraumdauer-Symbol „|>|“ auf dem Timer-Bildschirm sehen. **"AUTO"** erscheint auf dem Bildschirm. Während der Timer

sich in dieser Position befindet, benutzen Sie die Plus- und Minus-Sensoren zur Einstellung der für das zu backende Essen gewünschten Backzeit. Dann Berühren Sie den "M" Sensor, bis Sie das Symbol " |>| " sehen. Die Tageszeit wird unter Angabe der Backperiode anfangen zu blinken. Während sich der Timer in dieser Position befindet, stellen Sie die gewünschte Endzeit für die Zubereitung mit den Plus- und Minus-Sensoren ein. Eine Zeit nachdem die Konfiguration abgeschlossen ist, erscheint die Tageszeit wieder auf dem Bildschirm und das Symbol „>|“ wird fortwährend auf dem Bildschirm zu sehen sein. Der Ofen wird zur berechneten Zeit anfangen, indem er die Backzeit von der eingestellten Endzeit abzieht. Er ist dann zur eingestellten Endzeit fertig. Der Timer gibt eine hörbare Warnung von sich und **"AUTO"** wird auf dem Bildschirm zu blinken beginnen. Die Berührung eines beliebigen Sensors auf dem Kontrollfeld wird den hörbaren Warnton beenden. **"AUTO"** wird weiterhin blinken. Berühren Sie die „-“ und „+“ Symbole gleichzeitig zum Beenden des Modus **"AUTO"**.

Toneinstellung des Timers:

Berühren Sie den „-“ Sensor, bis Sie einen Ton hören. Der Timer wird einen hörbaren Signaltönen abgeben. Nach jedem Berühren des „-“ Sensors, gibt der Timer insgesamt drei verschiedene Signaltöne von sich. Wenn Sie den Sensor nicht mehr berühren, wird der letzte abgespielte Signaltönen gespeichert.

Tastensperre

Die Tastensperre wird verwendet, um das versehentliche Ändern von eingestellten Funktionen im Kontrollfeld zu verhindern. Betätigen Sie zur Aktivierung den „+“ Sensor, bis das Symbol für die Tastensperre auf dem Bildschirm erscheint. Betätigen Sie den „+“ Sensor abermals um die Tastensperre aufzuheben.

Wenn der Ofen in Betrieb ist und für 6 Stunden kein Einstellknopf oder Touch-Sensor berührt wird, stellt sich der Ofen automatisch ab.

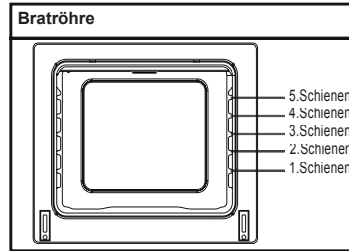
GERICHTE	TURBO			OBERES-UNTERES			OBERER & UNTERER LÜFTER			GRILL		
	Thermostat Pos. (°C)	Einschubpos.	Kochzeit (Min.)	Thermostat Pos. (°C)	Einschubpos.	Kochzeit (Min.)	Thermostat Pos. (°C)	Einschubpos.	Kochzeit (Min.)	Thermostat Pos. (Min.)	Einschubpos.	Kochzeit (Min.)
Blätterteiggebäck	170-190	1-2-3	35-45	170-190	1-2	35-45	170-190	1-2	25-35			
Kuchen	150-170	1-2-3	30-40	170-190	1-2	30-40	150-170	1-2-3	25-35			
Gebäck	150-170	1-2-3	25-35	170-190	1-2	30-40	150-170	1-2-3	25-35			
Grillfleisch										200	4	10-15
Wässrige Speisen	175-200	2	40-50	175-200	2	40-50	175-200	2	40-50			
Geflügel				200	1-2	45-60	200	1-2	45-60	200	*	50-60
Braten										200	3-4	15-25
Steak, Lende										200	4	15-25
Zweiflach-Kuchen	160-180	1-4	30-40									
Zweiflach-Gebäck	170-190	1-4	35-45									

* Backen mit Brathuhn-Spieß...

Zubehör

Das Produkt wird mit Zubehör ausgeliefert. Sie können auch aus anderen Quellen beschafftes Zubehör verwenden, dieses muss jedoch hitze- und feuerfest sein. Sie können auch Glasgeschirr, Kuchenformen und Backofenbleche verwenden, die für die Verwendung im Backofen geeignet sind. Wenn Sie fremdes Zubehör verwenden, müssen Sie die Anleitungen des Herstellers befolgen. Wenn kleines Geschirr verwendet wird, stellen Sie es in die Mitte des Drahtgitters. Wenn die zu kochende Speise das Backofenblech nicht vollständig bedeckt, wenn die Speise aus dem Gefrierschrank kommt oder das Blech für das Auffangen von Speisesäften, die während des Grillens herabtropfen, verwendet wird, verformt sich das Blech. Dies geschieht wegen der während des Bratens auftretenden hohen Temperaturen. Das Blech kehrt nachdem es wieder abgekühlt ist in seine alte Form zurück. Dies ist ein normales physikalisches Phänomen, dass während des Hitzeaustauschs vorkommt. Stellen Sie keine heißen Glas-tabletts und Geschirr direkt aus dem Backofen in eine kalte Umgebung, um das Zerbrechen des Tablettts oder des Geschirrs zu vermeiden. Stellen Sie sie nicht auf kalte oder nasse Oberflächen. Stellen Sie sie auf ein trockenes Küchentuch und lassen sie langsam auskühlen. Wenn Sie den Grill Ihres Backofens verwenden, empfehlen wir (wenn geeignet), das mitgelieferte Gitter zu verwenden. Wenn Sie ein Drahtgitter verwenden, dann stellen Sie ein Blech auf eines der unteren Regale, damit herabtropfendes Öl aufgefangen wird. Sie können Wasser in das Blech füllen, um die Reinigung zu erleichtern. Wie schon in den entsprechenden Absätzen erklärt, versuchen Sie niemals, einen gasbetriebenen Grillbrenner ohne Grillschutzdeckel zu verwenden. Wenn Ihr Backofen einen gasbetriebenen Grillbrenner hat, das Hitzeschild für den Grill aber fehlt oder

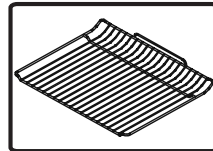
beschädigt ist und nicht benutzt werden kann, fordern Sie ein Ersatzteil von unserem nächsten Servicecenter an.



Backofenzubehör

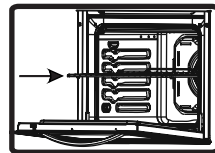
Das Zubehör Ihres Backofens kann je nach Modell Ihres Produkts unterschiedlich sein.

Drahtgitter



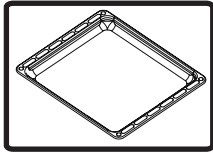
Das Drahtgitter wird zum Grillen oder Abstellen von unterschiedlichen Kochgeschirren verwendet.

ACHTUNG- Schieben Sie das Gitter richtig in eine entsprechende Schiene in der Bratröhre ein und drücken es nach hinten.



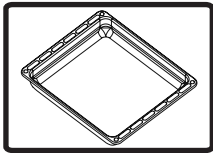
Flaches Blech

Das flache Blech wird zum Backen von Gebäck, wie Torten, verwendet. Um das Blech richtig in der Röhre anzubringen, legen Sie es auf eine Schiene und schieben es nach hinten.



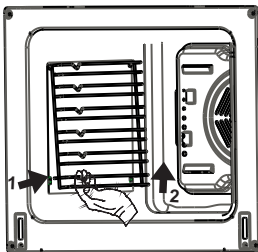
Tiefes Blech

Das tiefe Blech wird zum Schmoren verwendet. Um das Blech richtig in der Röhre anzubringen, legen Sie es auf eine Schiene und schieben es nach hinten.



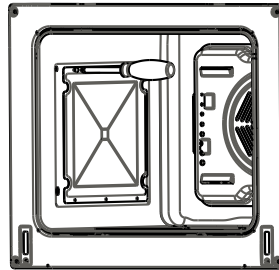
Entfernung des Gitterrosts

Ziehen Sie wie im Bild gezeigt am Gitterrost. Nach Entfernung der Clips, heben Sie ihn an.



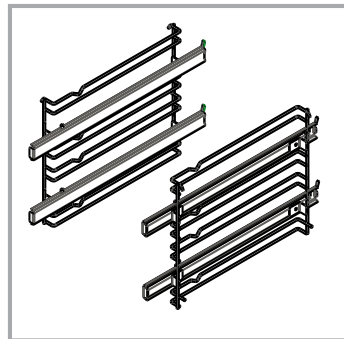
Entfernung der katalytischen Platte

Entfernen Sie die Schrauben G von jeder emaillierten katalytischen Platte.



Teleskopschienen

Entfernen Sie die Schrauben G von jeder emaillierten katalytischen Platte.



REINIGUNG UND WARTUNG IHRES BACKOFENS

REINIGUNG

Bevor Sie mit der Reinigung Ihres Backofens beginnen, müssen alle Bedientöpfe auf 'Aus' stehen und der Backofen muss abgekühlt sein. Das Gerät ausstecken.

Verwenden Sie keine Reinigungsmittel, die Partikel enthalten, die die emaillierten und

lackierten Bestandteile Ihres Backofens verkratzen könnten. Verwenden Sie Scheuermilch oder Flüssigreiniger, die keine Partikel enthalten. Verwenden Sie keine scharfen Cremes, Scheuermilch, Drahtwolle oder harte Werkzeuge, da diese die Oberflächen beschädigen können. Für den Fall, dass übergelauene Flüssigkeit sich in Ihren Backofen eingebrannt hat, kann dies die Emaille beschädigen. Waschen Sie übergelauene Flüssigkeit sofort ab. Verwenden Sie zur Reinigung des Backofens keinen Dampfreiniger.

Reinigen des Ofeninnenraums

Sorgen Sie dafür, dass der Backofen ausgesteckt ist, bevor Sie mit seiner Reinigung beginnen. Sie erhalten bei der Reinigung des Ofeninnenraums die besten Ergebnisse, wenn der Backofen noch ein wenig warm ist. Wischen Sie den Backofen mit einem weichen, nach jeder Verwendung in Seifenwasser getauchtes, Tuch aus. Dann wischen Sie ihn nochmal mit einem feuchten Tuch aus und wischen ihn dann trocken. Eine vollständige Reinigung mit Trockenpulverreinigern. Für ein Produkt mit emaillierten katalytischen Platten, benötigen die Rückseite, die Seitenwände und der innere Rahmen keine Reinigung. Allerdings sollten Sie abhängig von der Verwendung, nach einem gewissen Zeitraum ausgetauscht werden.

WARTUNG

Ersatz der Backofenlampe

Der Ersatz der Backofenlampe muss durch einen autorisierten Techniker erfolgen. Die Ausführung der Glühbirne sollte 230V, 25Watt, Type E14,T300 sein. Bevor Sie die Glühbirne austauschen, muss der Backofen ausgesteckt und kalt sein.

Diese Glühbirnenversion ist speziell für die Verwendung in Haushaltskochgeräten vorgesehen und ist nicht zur Beleuchtung von Räumen geeignet.

REPARATUR UND TRANSPORT

PRÜFUNGEN VOR DEM BEAUFTRAGEN EINER REPARATUR

Wenn der Backofen nicht funktioniert:

Der Backofen könnte ausgesteckt sein oder es war ein Stromausfall. Bei Modellen mit einer Zeitschaltuhr könnte die Zeit nicht eingestellt sein.

Wenn der Backofen nicht heizt:

Die Hitze wurde vielleicht nicht mit dem Knopf zum Einstellen der Temperatur eingestellt.

Die Anzeigelampen leuchten nicht:

Die Stromzufuhr muss überprüft werden. Es muss auch geprüft werden, ob die Lampen defekt sind. Wenn Sie defekt sind, können Sie anhand der folgenden Anleitung ersetzen.

Kochen (wenn Ober- und Unterhitze nicht gleichmäßig sind):

Überprüfen Sie die Position der Bleche, Kochzeiten und Hitzewerte gemäß des Handbuchs.

Wenn Sie außerdem noch Probleme mit Ihrem Backofen haben, rufen Sie bitte den "Autorisierten Kundendienst" an.

INFORMATIONEN ZUM TRANSPORT

Wenn Sie Ihren Backofen transportieren möchten:

Heben Sie den Originalverpackungskarton des Backofens auf und trans-

portieren. Sieden Ofen darin, wenn es erforderlich ist. Befolgen Sie die Transporthinweise auf dem Karton. Befestigen Sie die Bestandteile des Kochfeldes auf den Kochplatten mittels Klebeband.

Legen Sie ein Stück Papier zwischen die obere Abdeckung und das Kochfeld, packen Sie die obere Abdeckung ein und befestigen Sie sie mittels Klebeband an den Seitenwänden des Backofens.

Kleben Sie ein Stück Karton oder Papier auf die Backofentür, um das innere Glas der Backofentür vor den Blechen, dem Drahtgrill und Gitterregalen während des Transport des Backofens zu schützen. Befestigen Sie ebenfalls die Backofentür mittels Klebeband an den Seitenwänden.

Wenn Sie den Originalkarton nicht mehr haben:

Sie müssen für den Schutz der Außenflächen des Backofens (Glas- und Emailleflächen) gegen mögliche Stöße sorgen.

Kære kunde,

Vores mål er at tilbyde produkter af høj kvalitet, der overstiger dine forventninger. Apparatet er fremstillet i moderne faciliteter og er omhyggeligt testet for kvalitet. Denne vejledning er udarbejdet for at hjælpe dig med at bruge apparatet, der er fremstillet ved hjælp af den seneste teknologi med tillid og maksimal effektivitet. Læs omhyggeligt denne vejledning, som indeholder grundlæggende oplysninger om sikker installation, vedligeholdelse og brug, inden du tager dit apparat i brug. Kontakt venligst det nærmeste, autoriserede servicecenter om installation af dit produkt.

CE-erklæring om konformitet

Dette apparat er designet til kun at blive brugt til madlavning derhjemme. Enhver anden brug (f. eks. opvarmning af et rum) er forkert og farligt.

Dette apparat er designet, fremstillet og markedsført i overensstemmelse med:

Lavspændingsdirektivet 2006/95/EF

EMC-direktivet 2004/108/EF

-CE-mærkningsdirektiv 93/68/EØF

* Brugervejledningen gælder for flere modeller. Forskelle kan derfor forekomme.

Indhold

Præsentation og størrelse af produktet

Advarsler

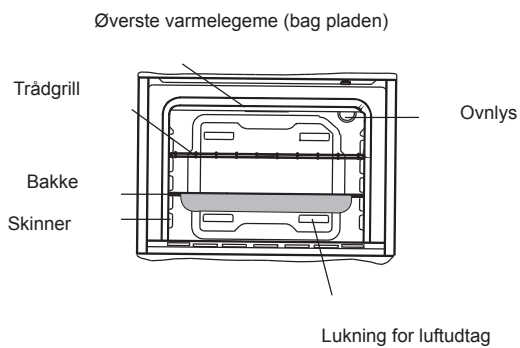
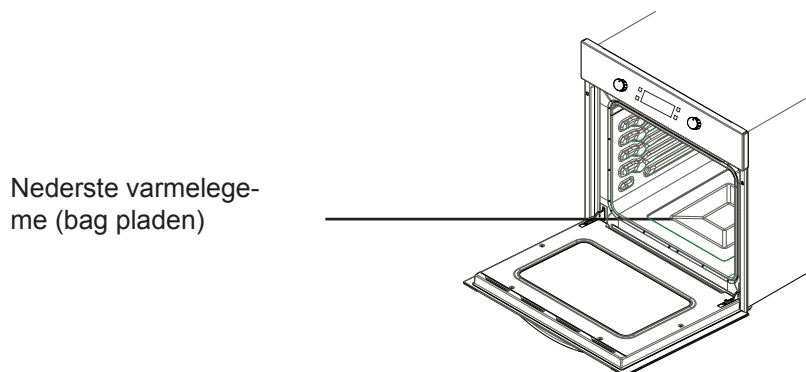
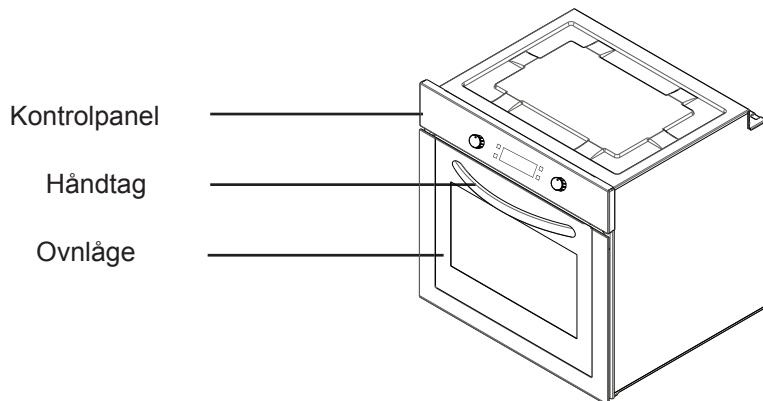
Forberedelse til installation og brug

Brug af ovnen

Rengøring og vedligeholdelse af dit produkt

Service og transport

PRÆSENTATION OG STØRRELSE AF PRODUKTET



SIKKERHEDSADVARSLER

LÆS DISSE INSTRUKTIONER OMHYGGELIGT OG FULDSTÆNDIGT FØR ANVENDELSE AF APPARATET OG LÆG DEM DEREFTER PÅ ET PRAKTISK STED SOM REFERENCE, HVIS DET BLIVER NØDVENDIGT.

DENNE VEJLEDNING ER UDARBEJDET TIL FLERE END ÉN MODEL. DIT APPARAT HAR MÅSKE IKKE ALLE DE FUNKTIONER, SOM ER BESKRIVET I DENNE VEJLEDNING. VÆR OPMÆRKSOM PÅ DE UDTRYK, SOM HAR TAL TILKYTTET, MENS DU LÆSER BRUGERVEJLEDNINGEN.

Generelle Sikkerhedsadvarsler

- Dette apparat kan bruges af børn i alderen fra 8 år og opefter, samt personer med nedsatte fysiske og mentale evner, nedsat følesans eller manglende erfaring og viden, når de er blevet vejledt eller instrueret i maskinens anvendelse på en sikker måde og forstår de involverede risici. Børn skal ikke lege med apparatet. Rengøring og vedligeholdelse skal ikke udføres af børn uden opsyn.
- **ADVARSEL:** Apparatet og dets tilgængelige dele bliver varme under brug. Man bør undgå at berøre varmelegemerne. Børn under 8 år skal holdes væk, medmindre de er under konstant opsyn.
- **ADVARSEL:** Brandfare: opbevar ikke ting på kogepladerne.
- **ADVARSEL:** Hvis overfladen er revnet, skal du slukke apparatet for at undgå risikoen for elektrisk stød.
- Apparatet er ikke beregnet til at blive betjent ved hjælp af en ekstern timer eller separat fjernbetjeningssystem.
- Apparatet bliver varmt under brug. Forsigtighed bør udvises for ikke at berøre varmeelementerne inde i ovnen.

- Håndtag anvendt i en kort periode kan blive varme under brug.
 - Anvend ikke krasse, slibende rengøringsmidler eller skarpe metalskrabere til rengøring af ovnlågens glas og andre overflader, da det kan ridse overfladen, hvilket kan resultere i brud på glasset eller beskadige overfladen.
 - Brug ikke damprensere til rengøring af apparatet.
 - **FORSIGTIG:** Tilgængelige dele kan være varme under madlavning eller grilling. Små børn skal holdes væk.
 - Apparatet er fremstillet i overensstemmelse med alle gældende lokale og internationale standarder.
 - Vedligeholdelse og reparationsarbejde skal udføres af autoriserede serviceteknikere. Installation og reparationer, der bliver udført af ikke-autoriserede teknikere, kan bringe dig i fare. Det er farligt at ændre eller modificere specifikationerne for apparatet på nogen måde.
 - Forud for installationen skal du sikre dig, at de lokale distributionsbetingelser (gastype og tryk eller elektrisk spænding og frekvens) og apparatets krav stemmer overens. Kravene til dette apparat er beskrevet på mærkatet.
 - **FORSIGTIG:** Dette apparat er kun designet til madlavning og er beregnet til indendørs brug i husstænde og må ikke anvendes til andre formål eller i nogen anden sammenhæng, som f. eks. anvendelse uden for hjemmet eller i kommerciel sammenhæng eller som rumopvarmning.
 - Forsøg ikke at løfte eller flytte apparatet ved at trække i lågens håndtag.
 - Alle mulige sikkerhedsforanstaltninger er taget for at sikre din sikkerhed. Du skal være forsigtig under rengøring ikke at komme til at ridse glasset, da glasset kan revne. Undgå at slå eller banke på glasset med tilbehør.
 - Sørg for, at netledningen ikke er kilet fast under installationen. Hvis netledningen er beskadiget, skal den udskiftes af producenten, dennes servicetekniker eller en tilsvarende kvalificeret fagmand for at undgå fare.
 - Når ovnlågen står åben, må børn ikke kravle eller sidde på den.
- Installationsadvarsler**
- Apparatet må ikke anvendes, før det er færdiginstalleret.

- Apparatet skal installeres af en autoriseret tekniker og gjort klart til brug. Producenten er ikke ansvarlig for nogen skade, der kunne være forårsaget af en forkert placering og installation af uautoriserede personer.
- Når du pakker apparatet ud, skal du sikre dig, at det ikke er beskadiget under transporten. I tilfælde af eventuelle fejl: brug ikke apparatet, og kontakt et autoriseret servicecenter straks. Da materialet, der er brugt til emballering (nylon, hæfteklammer, flamingo etc.) kan forårsage skadelige virkninger på børn, skal det indsamles og fjernes straks.
- Beskyt apparatet mod atmosfæriske effekter. Udsæt det ikke for påvirkninger fra sol, regn eller sne etc.
- Materialer, som findes umiddelbart i nærheden af apparatet (dets kabinet) skal kunne modstå en temperatur på mindst 100°C.
- Læg ikke brændbare eller eksplosive materialer på eller i nærheden af apparatet, når det er i brug.
- Brug altid handsker eller grydelapper, når ting tages ud af ovnen eller genindsættes.
- Forlad ikke kogepladen under madlavning med faste eller flydende olier. De kan antændes under meget kraftig opvarmning. Hæld aldrig vand på flammer, som er forårsaget af olie. Tildæk gryden eller stegepanden med sit låg for at kvæle de opståede flammer, og sluk for kogepladen.
- Hvis du ikke skal bruge apparatet i længere tid, skal du fjerne stikket fra stikkontakten. Efterlad hovedafbryderen slukket. Du skal også lukke for gashanen, når apparatet ikke er i brug.
- Sørg for, at apparatets betjeningsknapper står i "0" (stop) positionen, når apparatet ikke bruges.

Under brugen

- Når du første gang tænder for ovnen, vil en vis lugt udsendes fra isoleringsmaterialet og varmelementerne. Før du bruger ovnen, bør du derfor tænde den på højeste temperatur i 45 minutter. Samtidigt skal du sørge for kraftig udluftning omkring stedet, hvor ovnen er installeret.
- Under brug bliver de indre og ydre overflader varme. Træd et skridt tilbage, når du åbner ovnlågen, for at undgå den varme damp, der kommer fra ovnen. Der kan være risiko for forbrændinger.
- Bageplader og bradepande hælder lidt, når de trækkes ud. Vær forsigtig for ikke at varm væske løber over.
- Når ovnens låge eller skuffe står åbne, må der ikke stilles noget på dem. Du kan bringe apparatet ud af balance eller knække låget.
- Anbring ikke tunge, brændbare eller antændelige ting (nylon, plastikposer, papir, stof...etc.) i skuffen. Dette omfatter køkkentøj med plasttilbehør (f. eks. håndtag).
- Hæng ikke håndklæder, viskestykker eller tøj på apparatet eller dets håndtag.
- Ved rengøring og vedligeholdelse

- Sluk altid for apparatet før arbejde med rengøring eller vedligeholdelse. Du kan udføre arbejderne efter at apparatets stik er fjernet fra stikkontakten eller hovedafbryderen er slået fra.
 - Fjern ikke betjeningsknapperne, når kontrolpanelet rengøres.
 - FOR AT OPRETHOLDE EFFEKTIVITETEN OG SIKKERHEDEN AF APPARATET ANBEFALER VI ALTID AT BRUGE ORIGINALE RESERVEDELE OG ALTID AT TILKALDE VORES AUTORISEREDE SERVICE TEKNIKERE, NÅR DER ER BEHOV FOR EN TEKNIKER.
- stedet, hvor ovnen skal stå. Sørg for at tage hensyn til vores anbefalinger nedenfor for at forebygge eventuelle problemer og farlige situationer, som kan opstå på et senere tidspunkt.
- Når du vælger et sted til ovnen, skal du være opmærksom på, at der ikke er nogen brændbare eller antændelige materialer i umiddelbar nærhed, såsom gardiner, olie, tøj etc., som hurtigt kan antændes.
 - Møbler, der omgiver ovnen, skal være fremstillet af materialer, der er modstandsdygtige over for varme, der er mere end 50 C° varmere end rumtemperaturen.

FORBEREDELSE TIL INSTALLATION OG BRUG

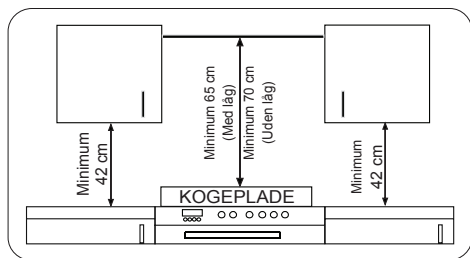
Fremstillet af de bedste dele og materialer vil denne moderne, funktionelle og praktiske ovn opfylde dine behov i alle henseender. Sørg for at læse vejledningen for at opnå gode resultater og ikke opleve nogen problemer i fremtiden. Oplysningerne, der angives nedenfor, indeholder regler, som er nødvendige for korrekt placering og service. De bør læses fuldt ud, især af den tekniker, som skal placere ovnen.

KONTAKT DET AUTORISEREDE SERVICECENTER OM INSTALLATION AF DIN OVN.

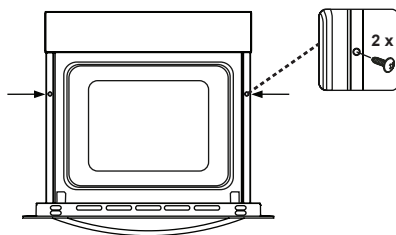
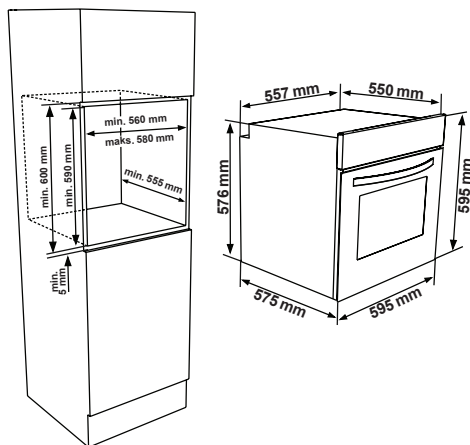
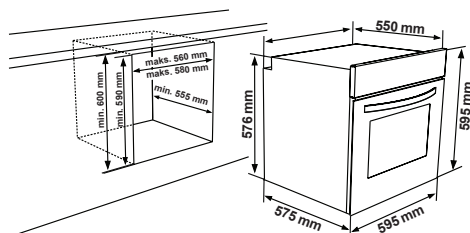
VÆLG STEDET HVOR OVNEN SKAL STÅ

- Der er adskillige punkter, man skal være opmærksom på, når man vælger

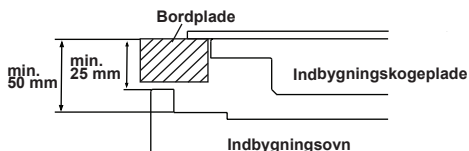
Nødvendige ændringer af skabsvægge og emhætter oven over indbygningsovnen, så vel som mindstefstanden fra bordpladen, kan ses i figur 1. Derfor skal emhætten være mindst 65 cm fra bordpladen. Hvis der ingen emhætte er, skal afstanden være mindst 70 cm.



INSTALLATION AF INDBYGNINGSOVNE



Sæt ovnen ind i skabet ved at skubbe den fremad. Åbn ovnlågen, og sæt 2 skruer ind i hullerne på ovnrammen. Når ovnrammen støder på skabets væg, skal skruerne skrues i.



Hvis ovnen installeres under en kogepåse, skal afstanden mellem bordplade og toppanelet på ovnen være mindst 50 mm, og afstanden mellem bordpladen og toppen af betjeningspanelet skal minimum være 25 mm.

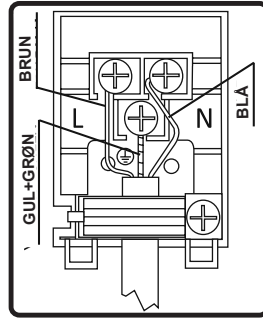
OVNENS LEDNINGSFØRING OG SIKKERHED

Instruktionerne, som er angivet nedenfor, skal altid overholdes under ledningsføring:

- Jordledningen skal tilsluttes via skruen med jordforbindelsesmærket. Forsyningsledningens tilslutning skal være som vist i figur 6. Hvis der ikke findes en jordet stikkontakt, som overholder reglerne, skal du straks ringe til et autoriseret servicecenter.
- Den jordede stikkontakt skal være i umiddelbar nærhed af apparatet. Brug aldrig en forlængerledning.
- Netledningen bør ikke kunne få kontakt med ovnens varme overflader.
- Hvis netledningen er beskadiget, så

sørg for at ringe til det autoriserede servicecenter. Netledningen skal udsiftes af en autoriseret servicetekniker.

- Ovnens kabeltilslutning skal udføres af det autoriserede servicecenter. H05VV-F type forsyningsledning skal anvendes.
- Forkert ledningsføring kan beskadige apparatet. En sådan skade vil ikke være dækket af garantien.
- Ovnens er designet til tilslutning til 220-240V~ elektricitet. Hvis dette er forskelligt fra ovennævnte værdi, skal det autoriserede servicecenter kontaktes omgående.
- **Producentvirksomheden erklærer, at den ikke bærer noget ansvar overhovedet for skader og tab af enhver art som følge af manglende overholdelse af de sikkerhedsmæssige normer.**
- Ovnens kabeltilslutning skal udføres af det autoriserede servicecenter. Apparatet er
- designet til tilslutning til 220-240 V~ elektricitet. Hvis strømmen er anderledes end den angivne værdi, skal du tilkalde det autoriserede servicecenter øjeblikkeligt. Apparatet er udviklet til brug med stik til fast tilslutning til lysnettet. Det er nødvendigt, at du installerer en dobbeltpolet kontakt mellem produkt og elforsyningen (lysnettet) med en min. afstand på 3 mm mellem kontakterne. (20A nominelt, forsinket funktionstype).



3.4. GENERELLE ADVARSLER OG FORHOLDSREGLER

Apparatet er fremstillet i overensstemmelse med de relevante sikkerhedsforskrifter vedrørende elektriske apparater. Vedligeholdelse og reparationer må kun udføres af autoriserede serviceteknikere, der er uddannet hos producenten. Installation og reparationer, der udføres uden at overholde reglerne kan være farlige.

De udvendige overflader opvarmes, når apparatet bruges. Elementerne, der opvarmer den indvendige overflade i ovndøren, og damp er meget varme. Disse sektioner vil fortsat bevare deres varme et stykke tid, selv om apparatet er slukket. Rør aldrig de varme overflader. Hold børn på afstand.

For at kunne tilberede mad i ovnen skal ovnfunktion og temperatur indstilles, og ovntimeren skal programmeres. Ellers, hvis ovnen ikke fungerer

Når ovnlågen står åben, må der ikke stilles noget på den. Det kan forstyrre apparatets ligevægt eller brække lågen af.

Fjern apparatets stik fra stikkontakten, når det ikke er i brug.

Beskyt apparatet mod atmosfæriske påvirkninger. Efterlad det ikke under påvirkning fra sol, regn, sne, støv etc.

Brug af ovnens funktionsknap.

Ovnfunktioner

* Funktionerne i din ovn kan være anderledes afhængigt af ovnens model.



Ovnlys

Kun ovnlyset vil tændes, og det forbliver tændt under alle tilberedningsfunktioner.



Optøningsfunktion:

Ovnens advarselsslamper vil tændes og ventilatoren vil begynde at snurre rundt.

Ved brug af optøningsfunktionen skal du tage dine frosne madvarer og placere dem i ovnen på en hylde i den tredje rille fra bunden. Det anbefales, at placere en ovnbakke under madvarerne, der er under optøning, for at opfange vandet, der samler sig pga. den smeltende is. Denne funktion vil ikke lave mad eller bage din mad, den vil kun bidrage til at optø maden.



Turbo-funktion

Ovnens termostat og advarselsslamper tændes, og ring-varmelegemet og ventilatoren vil sætte i gang.

Turbofunktionen fordeler varmen jævnt i ovnen. Alle fødevarer på alle plader vil blive tilberedt jævnt. Forvarmning af ovnen i 10 minutter anbefales.



Statisk tilberedningsfunktion

Ovnens termostat og advarselsslamper vil blive tændt, og både det øverste og nederste varmelegeme vil begynde at varme. Den statiske tilberedningsfunktion afgiver varme. Sikrer jævn tilberedning fra oven og fra neden. Dette er ideelt til kager, småkager, bagt pasta, lasagne og pizza. Forvarmning af ovnen i 10 minutter anbefales, og det er bedst kun at anvende én bageplade ad gangen med denne funktion.



Ventilatorfunktion:

Ovnens termostat og advarselsslamper vil blive tændt, og både det øverste og nederste varmelegeme vil begynde at varme, og ventilatoren vil sætte i gang.

Denne funktion er meget gode til at skaffe resultater ved bagning af wienerbrød. Madlavning foretages med det øverste og nederste varmelegeme i ovnen og med ventilatoren, der giver luftcirkulation, som giver en svag grill effekt til maden. Forvarmning af ovnen i 10 minutter anbefales.



Grillfunktion:

Ovnens termostat og advarselsslamper vil blive tændt, og grillelementet vil begynde at varme. Denne funktion bruges til grillning og ristning af madvarer. Brug de øverste riller i ovnen. Pensl trådristen med olie for at forhindre, at madvarer hænger fast på midten af grillristen. Anbring altid en bakke under til at opsamle dryp af olie eller fedt. Forvarmning af ovnen i 10 minutter anbefales. Advarsel: Når du griller, skal ovnlågen være lukket, og ovntemperaturen bør sættes til 190°C.



Hurtigere grillfunktion:

Ovnens termostat og advarselsslamper vil blive tændt, og både grillelementet og det øverste varmelegeme vil begynde at varme. Denne funktion bruges til hurtigere grilning og til at dække større overflader af maden, såsom grilning af kød. Brug ovnens øverste riller. Pensl trådristen med olie for at forhindre, at madvarer hænger fast på midten af grillristen. Anbring altid en bakke under til at opsamle dryp af olie eller fedt. Forvarmning af ovnen i 10 minutter anbefales. Advarsel: Under grilning skal ovnlågen være lukket, og ovntemperaturen være sat til 190°C



Dobbeltgrill og ventilatorfunktion:

Ovnens termostat og advarselsslamper vil blive tændt, og både grillelementet og det øverste varmelegeme og ventilatoren vil sætte i gang.

Funktionen anvendes til hurtigere grilning af tykkere fødevarer og til at dække et større overfladeareal. Både de øverste varmeelementer og grill bliver aktiveret sammen med ventilatoren for at sikre jævn tilberedning.

Brug de øverste riller i ovnen. Pensl trådristen med olie for at forhindre, at madvarer hænger fast på midten af grillristen. Anbring altid en bakke under til at opsamle dryp af olie eller fedt. Forvarmning af ovnen i 10 minutter anbefales.

Advarsel: Under grilning skal ovnlågen være lukket, og ovntemperaturen være sat til 190 °C.



Pizzafunktion:

Ovnens termostat og advarselsslamper vil blive tændt, og både ringelementet og det nederste varmelegeme vil begynde at varme.

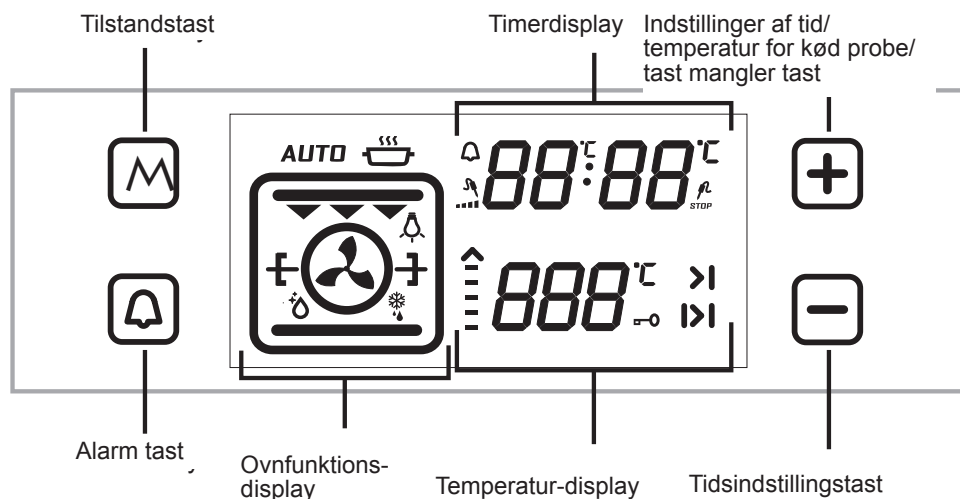
Ventilator og nederste opvarmningsfunktion er ideelle til bagning af fødevarer, såsom pizza på kort tid. Når ventilatoren fordeler varmen i ovnen, sikrer det nederste varmelegeme bagning af brøddej.

ENERGIBESPARELSE

Minimerer mængden af væske eller fedt for at reducere tilberedningstiden..

Ovnlågen bør ikke åbnes under tilberedningen.

4.2. SÅDAN BRUGES VISIO TOUCH KONTROLENHEDEN



Justering af tidspunktet på dagen.

Når indbygningsovnens installeret første gang, skal tidspunktet på dagen reguleres i henhold til nedenstående instruktioner.

Når ovnen tændes første gang, vil "0.00" begynde at blinke på displayet. Rør "M" sensoren eller " - " og " + " sensorerne for at justere tidspunktet på dagen. " : " symbolet begynder at blinke på displayet. Du kan justere med " - " og " + " sensorerne. Hvis Auto-funktionen er slået fra, så tryk på " - " og " + " sensorerne samtidigt til dag/tid-tilstanden vises. Du kan nu justere med " - " og " + " sensorerne.

Du skal justere dag/tid for at kunne bruge ovnen.

JUSTERING AF OVNENS TID:

Justering af minutet:

Tryk på den alarmsensor, der viser " " symbolet. " " vil blinke på displayet. "0.00" vil vises på uret. Indstil den ønskede periode for advarslen ved hjælp af timerens plus- og minussensor, medens symbolet blinker. Nogen tid efter at indstillingen er afsluttet, vil symbolet lyse konstant. Når symbolet begynder at lyse konstant, vil indstillingen af den akustiske advarsel være udført. Når den indstillede tid er gået, vil timeren afgive en akustisk advarsel, og symbolet begynder at blinke på skærmen. Et tryk på " - " eller " + " vil standse den akustiske advarsel, og symbolet forsvinder fra skærmen.

Indstilling af tilberedningstiden:

Denne funktion anvendes til at tilberede mad i det ønskede tidsrum. Den mad, der skal tilberedes sættes ind i ovnen. Ovnen indstilles til den ønskede tilberedningsfunktion. Ovntemperaturen indstilles til det ønskede antal grader, afhængigt af den ret, der skal tilberedes. Tryk på "M" sensoren, indtil du kan se varighedssymbolet " |>|" på timerskærmen. **"AUTO"** vises i displayet. Indstil tilberedningsperioden for den mad, du ønsker at tilberede vha. plus- og minussensorerne, mens timeren står i denne position. Nogen tid efter at indstillingen er færdig, vil tidspunktet på dagen ses på skærmen, og varighedssymbolet vil nu lyse konstant på skærmen.

Ved udløb af den indstillede periode, vil timeren stoppe ovnen og afgive en akustisk advarsel. Også **"AUTO"** vil begynde at blinke på skærmen. Et tryk på en sensor på kontrolenheden vil standse den akustiske advarsel. **"AUTO"** vil begynde at blinke. Tryk på " - " og " + " symbolerne samtidigt for at afslutte **"AUTO"** tilstanden.

Indstilling af sluttidspunkt for tilberedningen:

Denne funktion bruges til at tilberede maden efter en vis tid, inden for en bestemt varighed. Maden, der skal tilberedes sættes ind i ovnen. Ovnen indstilles til den ønskede tilberedningsfunktion. Ovntemperaturen indstilles til det ønskede antal grader, afhængigt af den ret, der skal tilberedes.

Tryk på "M" sensoren, indtil du kan se varighedssymbolet " |>|" på timerskærmen. **"AUTO"** vises i displayet. Indstil tilberedningsperioden for den mad, du ønsker at tilberede vha. timerens plus- og minussensorer, medens timeren står

i denne position. Tryk derefter på "M" sensoren, indtil du ser ">|" symbolet. Tidspunktet vil begynde at blinke med tilføjelsen af tilberedningstiden. Indstil sluttidspunktet for den mad, du ønsker at tilberede vha. plus- og minussensorerne, mens timeren står i denne position. Nogen tid efter at indstillingen er færdig, vil tidspunktet på dagen ses på skærmen, og symbolet ">|" vil nu lyse konstant på skærmen. Ovnen vil begynde at fungere på tidspunktet, der blev beregnet ved at trække tilberedningsperioden fra den indstillede sluttid, og ovnen vil standse ved det indstillede sluttidspunkt. Timeren vil afgive en akustisk advarsel, og **"AUTO"** vil begynde at blinke på skærmen. Et tryk på en tilfældig timerknap vil standse den akustiske advarsel. **"AUTO"** vil begynde at blinke. Tryk på " - " og " + " symbolerne samtidigt for at afslutte **"AUTO"** tilstanden.

Justering af den digitale timers lyd:

Tryk på "- " sensoren, indtil du hører lyd. Timeren vil afgive et hørbart bip. Hver gang "- " sensoren derefter trykkes på vil give tre forskellige bip-signaler. Når du slipper sensoren vil timeren gemme den senest valgte signaltpe.

Indikator for tastaturlås

Tastaturlåsefunktionen anvendes til at forhindre betjening af kontrolenhedens funktioner ved en fejltagelse. Tryk på "+" sensoren, indtil du ser tastaturlåsesymbolet på skærmen for at aktivere tastaturlåsen. Tryk på "+" sensoren for at låse op igen.

Mens ovnen er i drift, vil den alligevel slukkes, hvis

kontrolknapperne ikke er blevet trykket på i 6 timer.

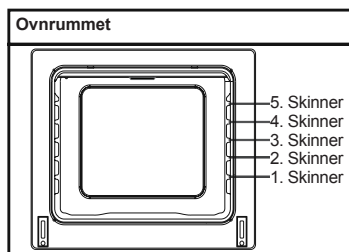
SERVICE	TURBO			NEDERSTE-ØVERSTE			NEDERSTE-ØVERSTE VENTILATOR			GRILL		
	Termostat-pos. (°C)	Ril-le-pos.	Tilberedningstid (min)	Termostat-pos. (°C)	Ril-le-pos.	Tilberedningstid (min)	Termostat-pos. (°C)	Ril-le-pos.	Tilberedningstid (min)	Termostat-pos. (min)	Ril-le-pos.	Tilberedningstid (min)
Lagdelt wienerbrød	170-190	1-2-3	35-45	170-190	1-2	35-45	170-190	1-2	25-35			
Kage	150-170	1-2-3	30-40	170-190	1-2	30-40	150-170	1-2-3	25-35			
Smakage	150-170	1-2-3	25-35	170-190	1-2	30-40	150-170	1-2-3	25-35			
Grillede kødboller										200	4	10-15
Vandholdige madvarer	175-200	2	40-50	175-200	2	40-50	175-200	2	40-50			
Kylling				200	1-2	45-60	200	1-2	45-60	200	*	50-60
Kotelet										200	3-4	15-25
Engelsk bøf										200	4	15-25
To-pladers kage	160-180	1-4	30-40									
To-pladers wienerbrød	170-190	1-4	35-45									

* Tilbered stegt kylling med grillspyd

Tilbehør

Ovnen leveres med tilbehør. Du kan også bruge tilbehør, du køber fra andre kilder, men de skal være resistente over for varme og ild. Du kan også bruge glasskåle, bageforme og fade, som er egnede til ovnbrug. Følg producentens anvisninger ved anvendelse af andet tilbehør. Hvis du anvender små fade, kan du placere dem på trådristen, da det vil helt være på den midterste del af risten. Hvis madvarerne, der skal tilberedes, ikke fylder en hel bageplade, eller hvis madvarerne er taget direkte fra fryseren, eller hvis bagepladen bruges til opsamling af safter, der flyder under grilning, så kan bagepladen ændre form. Dette skyldes de høje temperaturer, der opstår under tilberedningen. Bagepladen vil vende tilbage til sin oprindelige form, når den er kølet ned. Dette er en normal fysisk begivenhed, der indtræffer under varmeoverførsel. Anbring ikke varme glasbakter og fade på kolde steder direkte fra ovnen for at undgå, at de revner eller knækker. Stil dem ikke på kolde og våde overflader. Anbring den på et tørt viskestykke og lad den køle langsomt ned. Når du bruger grillen i din ovn, så anbefaler vi (hvis det er relevant), at du bruger trådristen, som blev leveret sammen med produktet. Når du bruger trådristen, så sæt en bageplade i én af rillerne nedenfor for at opsamle olie. Vand kan hældes i bagepladen for at hjælpe rengøringen. Som forklaret i de tilknyttede afsnit, forsøg aldrig at bruge gas-grill-brænderen uden grill-beskyttelseslåget. Hvis ovnen har en gasdrevet grillbrænder, men grillens varmeskjold mangler, eller hvis det er

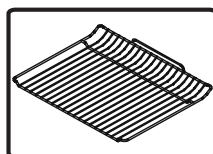
Beskadiget og ikke kan bruges, skal du anmode om en reservedel fra det nærmeste servicecenter.



Ovntilbehør

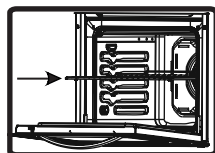
Tilbehøret til din ovn kan være anderledes på grund af ovnens model.

Trådrist



Trådristen bruges til grilning eller til at anbringe forskelligt kogegrej på.

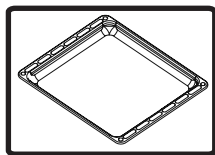
ADVARSEL- Sæt grillristen korrekt ind i den tilsvarende rille, og skub den bagud til den stopper.



Bageplade

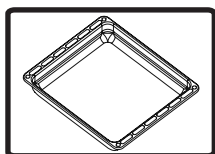
Bagepladen bruges til at bage kager, såsom tærter etc. For at placere bagepladen korrekt skal du sætte den i en skinne efter dit valg og skubbe den

Helt bagud.



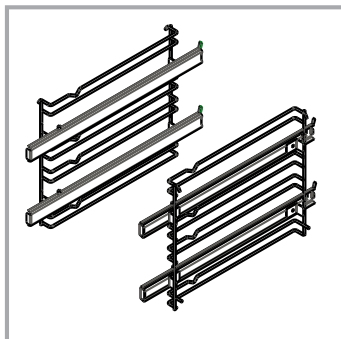
Bradepande

Bradepanden bruges til at tilberede stuvninger. Anbring bradepanden i en rille efter ønske, og skub den helt bagud.



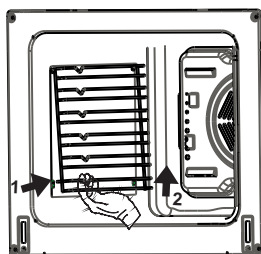
Teleskopiske skinner

Fjern G-skruerne på hvert katalytisk, emaljebelagt panel.



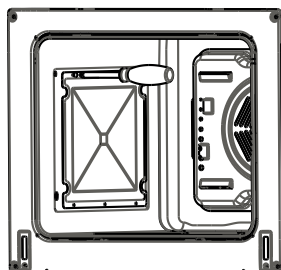
Udtagning af trådristen

Træk i trådristen som vist på billedet. Når den er frigjort fra clipsene kan den løftes op.



Fjernelse af katalytisk panel

Fjern G-skruerne på hvert katalytisk, emaljebelagt panel.



RENGØRING OG VEDLIGEHOLDELSE AF DIN OVN

RENGØRING

Inden du begynder at rengøre din ovn, skal du sørge for, at alle knapper er slukket, og apparatet er afkølet. Tag stikket ud af stikkontakten.

Brug ikke rengøringsmidler, som indeholder partikler, der kan ridse emaljerede og malede dele af din ovn. Brug creme- eller vandbaserede rengøringsmidler, som ikke indeholder partikler. Da disse rengøringsmidler kan beskadige overfladerne, bør du ikke bruge ætsende kremer, slibende rengøringsmidler, hårde stålsvampe eller hårdt værktøj. Hvis for mange væsker løber over og ovnen vil antændes, kan det beskadige emaljen. Fjern straks spildte væsker. Brug ikke damprensere til rengøring af ovnen.

Rengøring af ovnens indre

Sørg for at trække ovnens stik ud af stikkontakten, inden du begynder at rengøre den. Du vil opnå de bedste resultater, hvis du rengør ovnens indre, mens ovnen er lidt varm. Rengør ovnen med en blød klud, som er fugtet med sæbevand. Ør det efter hver brug af ovnen. Tør de nu med en fugtet klud til den er tør. En fuldstændig rengøring ved hjælp af tørre og pulverbaserede rengøringsmidler Produkter med katalytiske, emaljebelagte sider

kræver ingen rengøring. Men, afhængigt af brug, anbefales det at udskifte dem efter en vis tid.

VEDLIGEHOLDELSE

Udskiftning af ovnlyset

Udskiftning af ovnlyset skal udføres af en autoriseret tekniker. Pærens nominelle angivelse skal være 230 V, 25 Watt, Type E14,T300. Før pæren skiftes, skal ovnens netledning være trukket ud af stikkontakten, og ovnen skal være afkølet.

Lampens design er specifikt til brug i husholdningsovne og er ikke egnet til rumoplysning.

SERVICE OG TRANSPORT

KRAV FØR SERVICETILKALD

Hvis ovnen ikke fungerer:

Ovnen kan være koblet fra lysnettet. Der kan have været et strømafbud. Timeren kan være nulstillet på ovne med en sådan.

Hvis ovnen ikke bliver varm:

Varmen kan ikke reguleres med varmelegemets kontrolknop.

Hvis den indvendige belysning ikke virker:

Strømtilførsel skal checkes. Det skal checkes, om lamperne er sprunget. Hvis de er sprunget, kan du udskifte dem ved at følge vejledningen.

Tilberedning (hvis det øverste og nederste varmelegeme ikke opvarmer jævnt):

Check placeringen af bagepladerne, tilberedningstiden og varmetrin i henhold til vejledningen.

Hvis du ser bort fra disse, har du så stadig problemer med ovnen, så skal du kontakte det autoriserede servicecenter.

OPLYSNINGER VEDRØRENDE TRANSPORT

Hvis du har brug for at transportere ovnen:

Opbevar ovnens originale emballage, og transporter ovnen i denne, hvis der er behov for at bære den. Følg transportmærkerne på emballagen. Tape ovnens topbeskyttelse til ovnens

topside.

Læg derefter papir mellem den øvre beskyttelse og ovnens kontrolpanel, tildæk den øverste beskyttelse og tape på siderne af ovnen.

Tape pap eller papir på forsiden af det indvendige glas, da dette vil være egnet til at bagepladerne, trådristen og bradepanden ikke beskadiger ovnen under transport. Tape også ovnens beskyttelsesbeklædning til ovnsiderne.

Hvis du ikke har den originale emballage:

Tag mål for ovnens udvendige overflader (glas og lakerede overflader) mod eventuelle slag.

Register your product here
WWW.SHARPHOMEAPPLIANCES.COM , by registering with
Sharp you become part of our For Life promise to always
be there for you and your appliance



Service
& Support

Visit our website:

www.sharphomeappliances.com

Or contact us:



You **Tube**

52188703

100% recycled paper